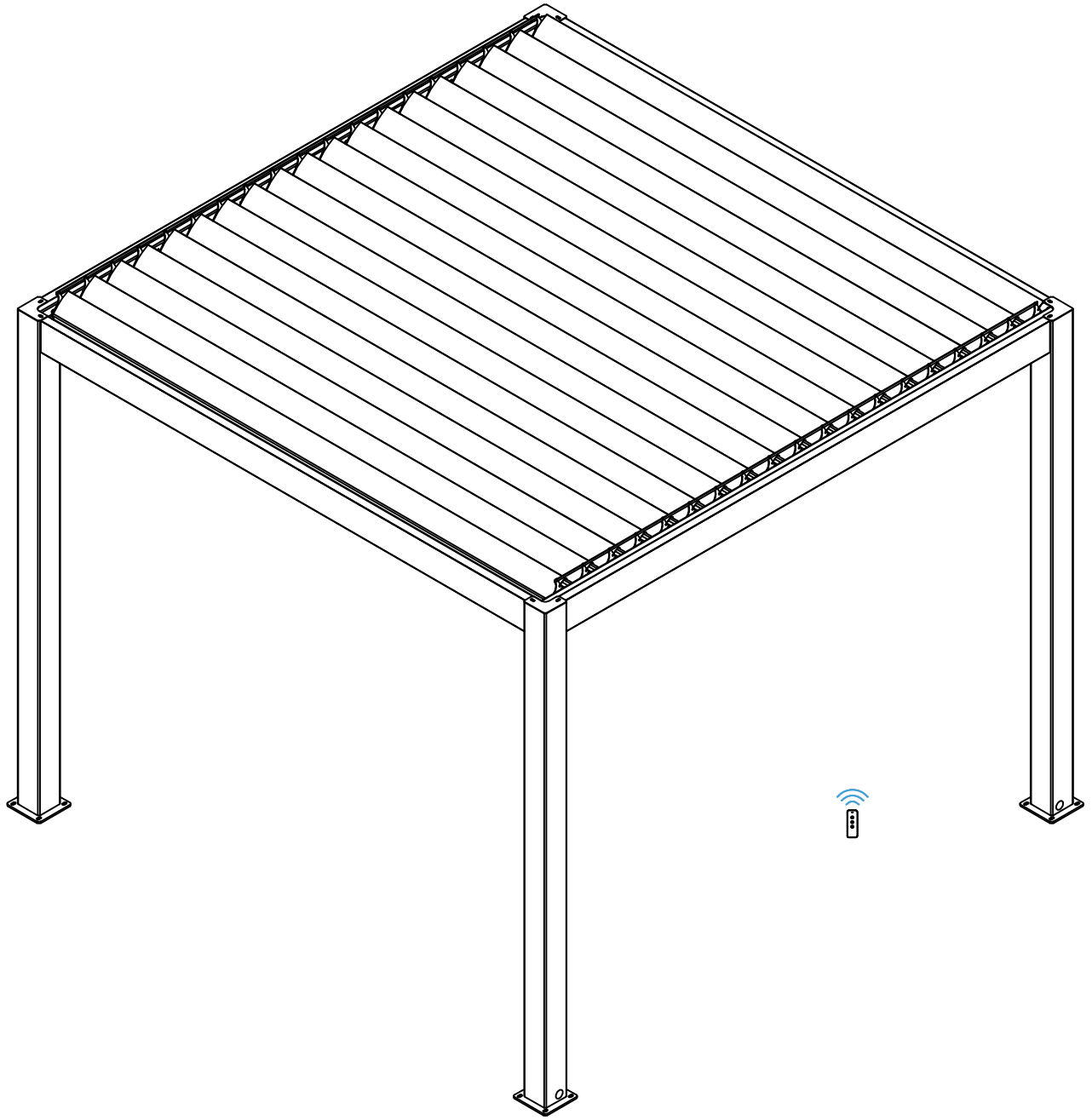
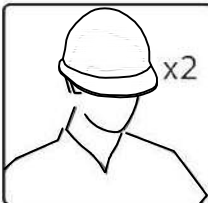

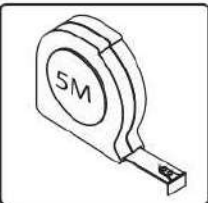
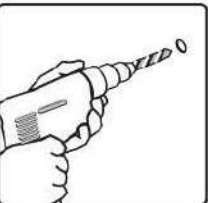



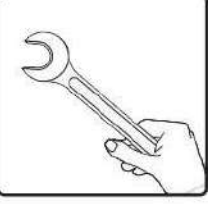




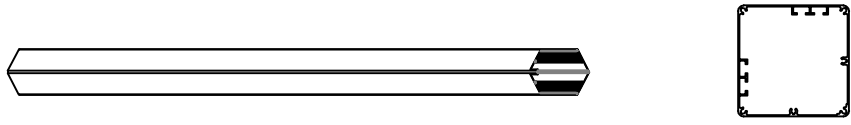
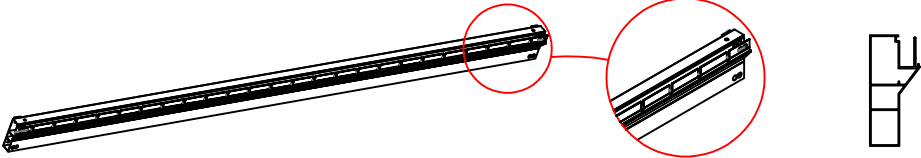
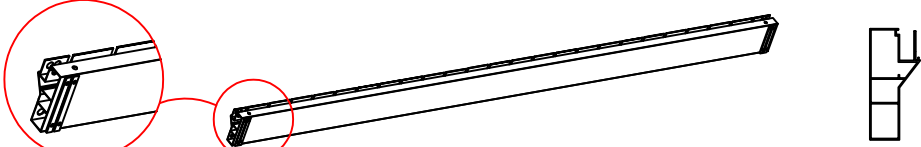
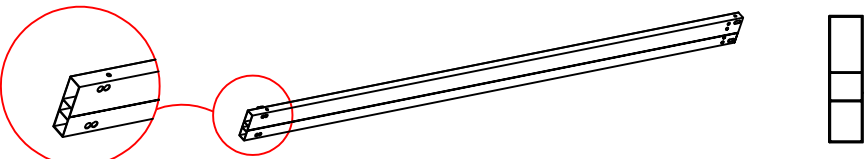



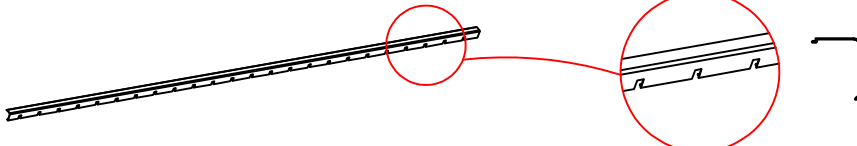
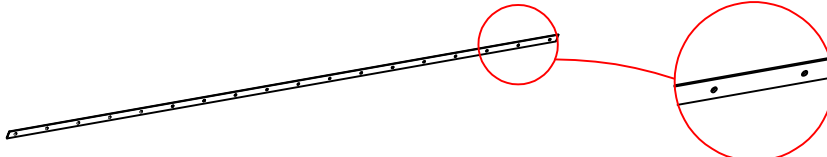
## ELECTRIC PERGOLA FREE STANDING 4 POSTS

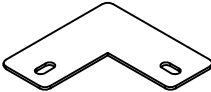
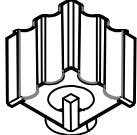
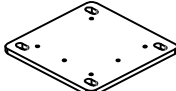
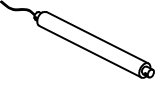
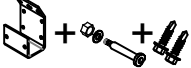

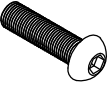
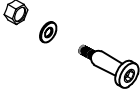

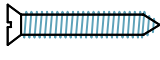
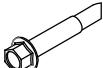




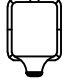


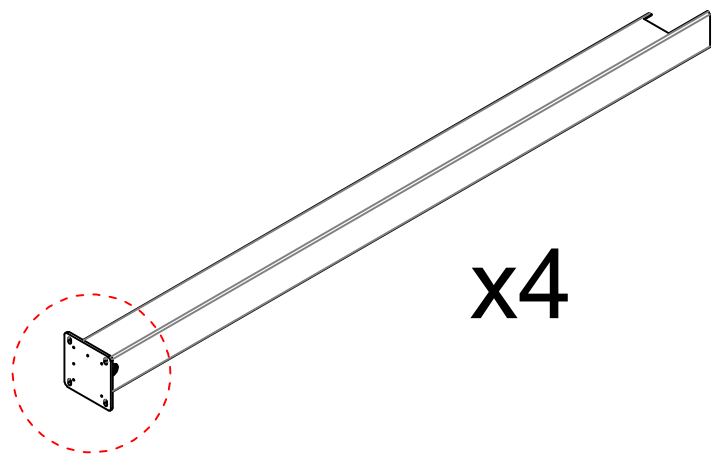
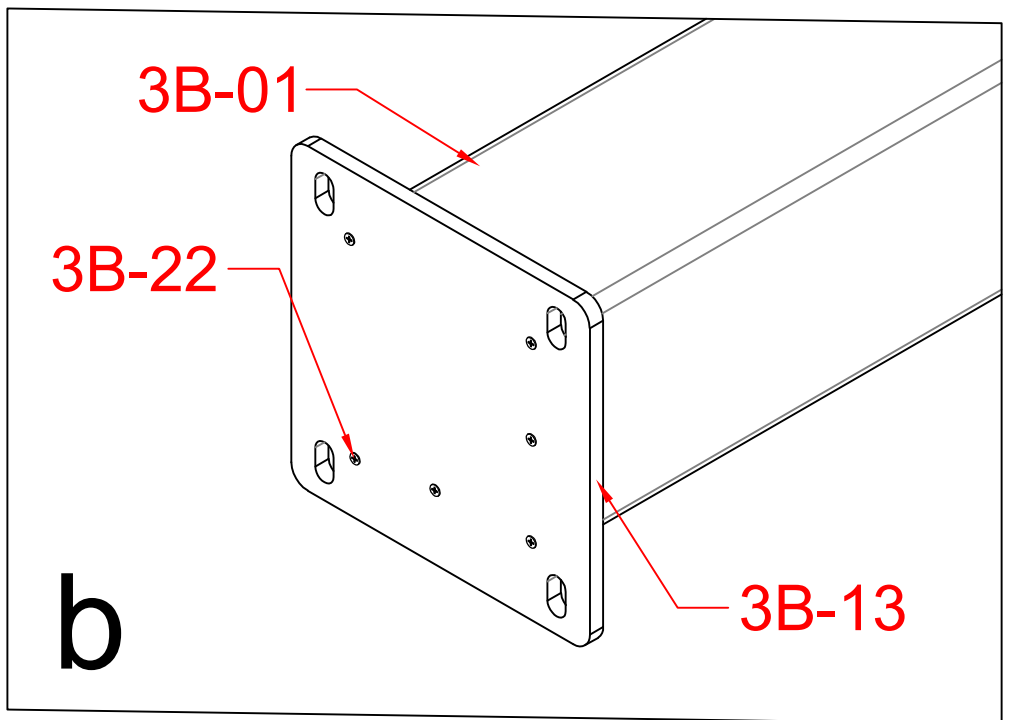
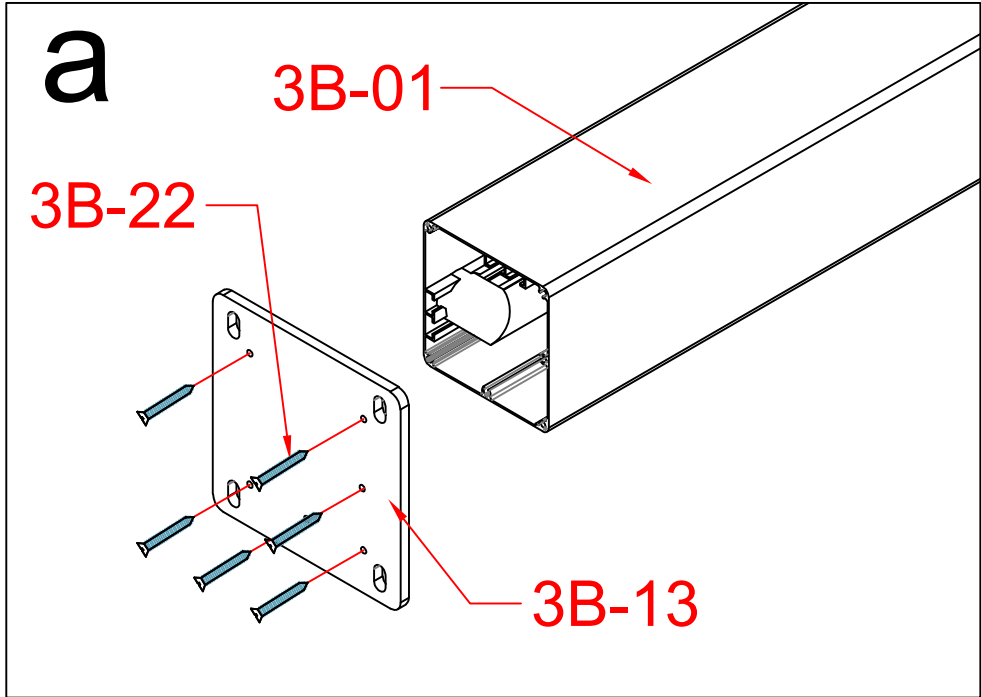
- |   |  |   |  |   |   |
|---|--|---|--|---|---|
|  |                             |  |                            |  |  |
|  |  <p>Caulk /<br/>Silicon</p> |  |  <p>Plastic<br/>hammer</p> |  |  |





	Item	Qty	Item	Qty	Item	Qty
Carton 1/4	3B-01	4	3B-11	4	3B-12	4
	3B-13	4	3B-14	1	3B-15	1
	3B-18	1	3B-19	11	3B-20	54
	3B-21	16	3B-22	24	3B-23	20
	3B-24	1	3B-30	1	3B-31	1
Carton 2/4	3B-02	1	3B-03	1	3B-04	2
	3B-05	4	3B-08	2	3B-09	2
	3B-06	1	3B-07	4		
Carton 3/4	3B-07	11				
Carton 4/4	3B-07	11				

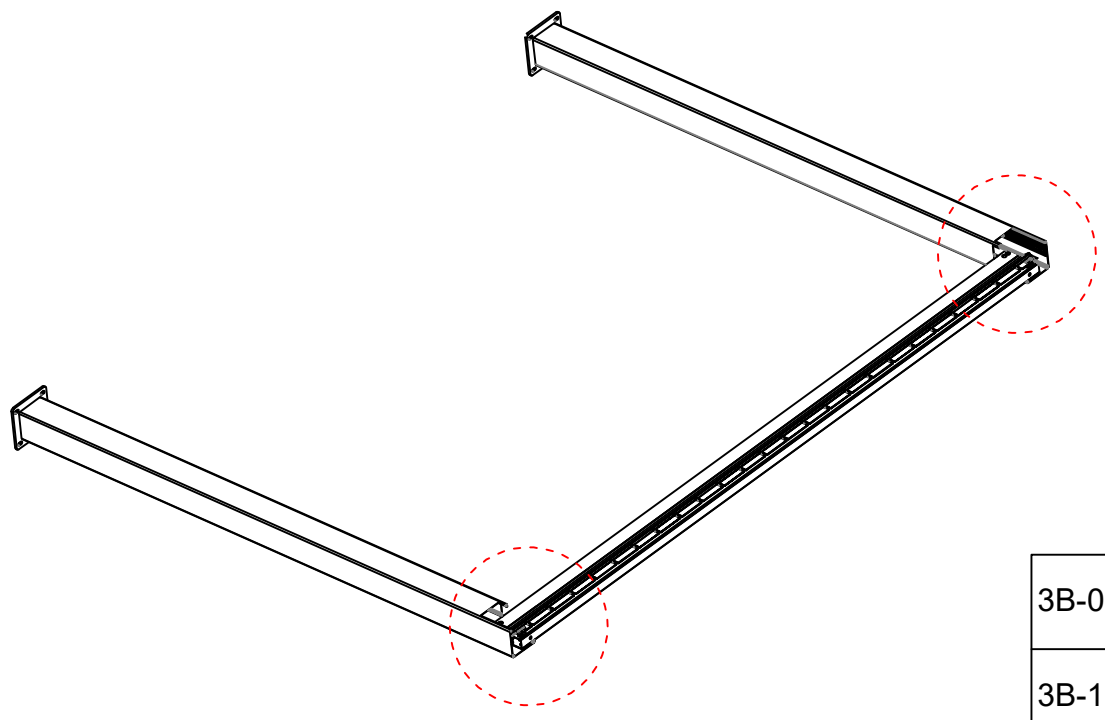
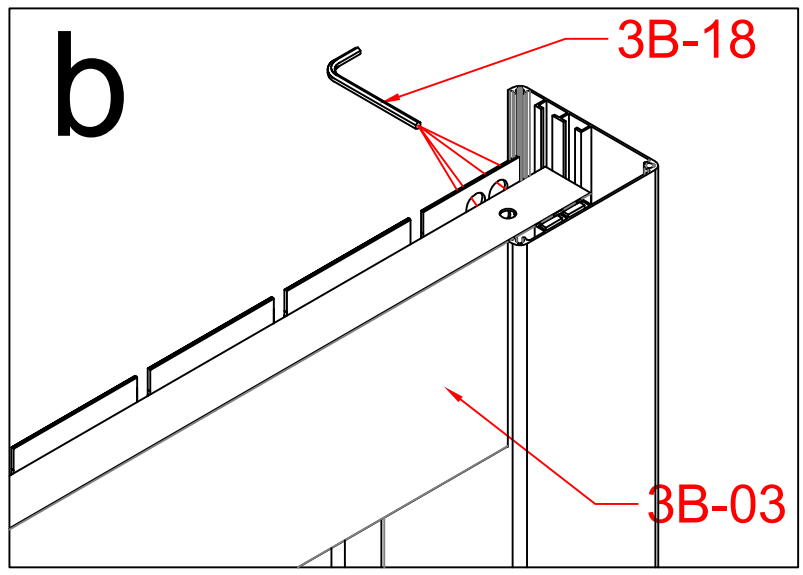
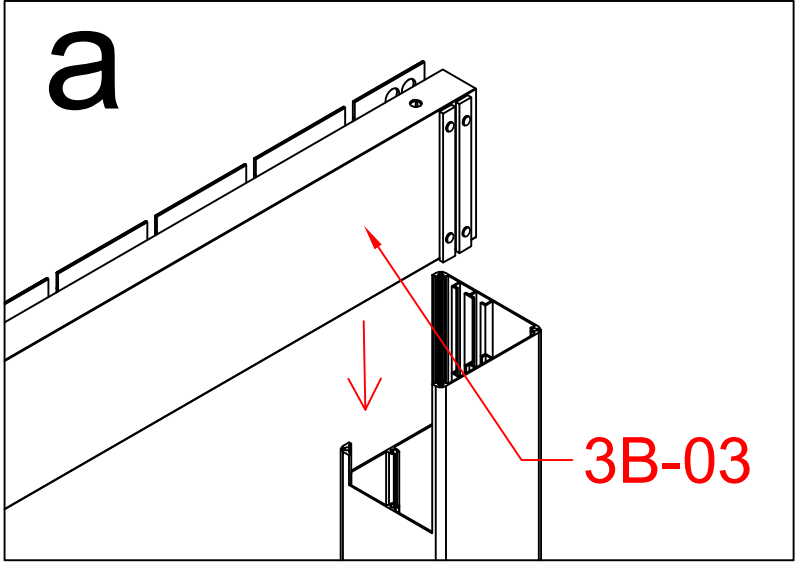
Item	Drawings	Qty
3B-01		4
3B-02		1
3B-03		1
3B-04		2
3B-05		4
3B-06		1
3B-07		26
3B-08		2
3B-09		2


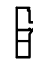

Item	Drawings	Qty
3B-11		4
3B-12		4
3B-13		4
3B-14		1
3B-15		1
3B-18		1
3B-19	 M8*20	11
3B-20		54+2
3B-21		16
3B-22		24+2
3B-23		20+2

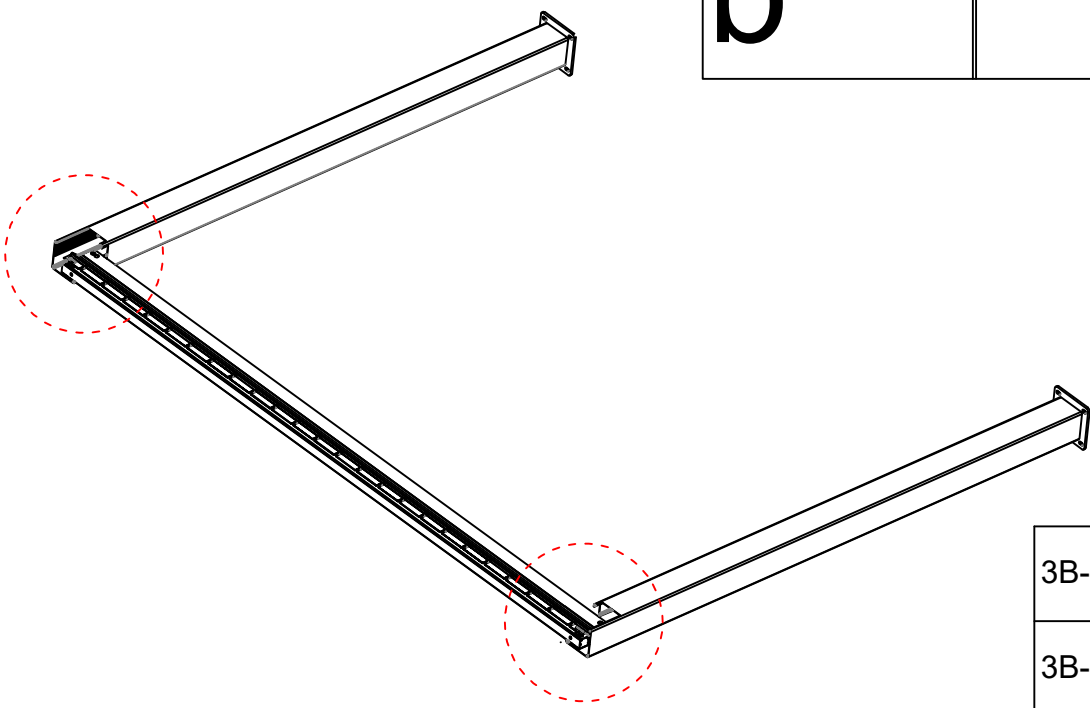
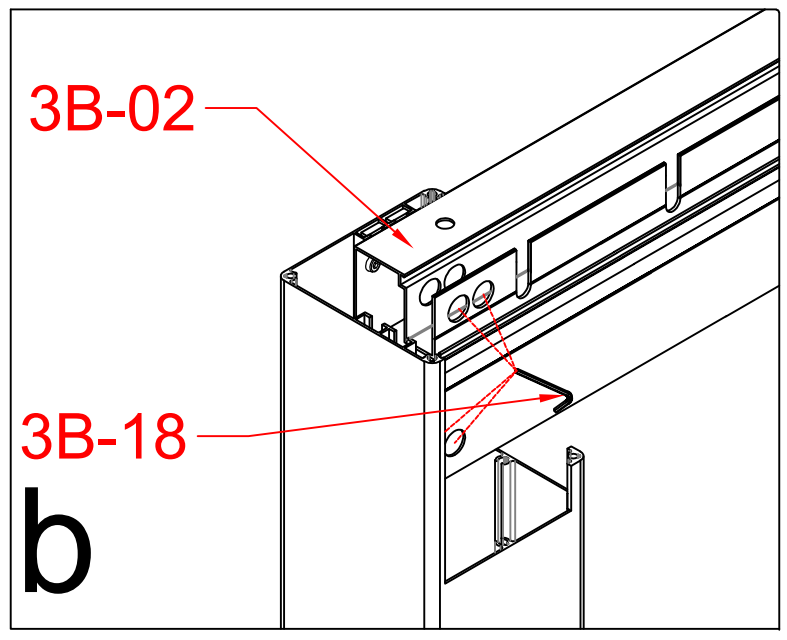
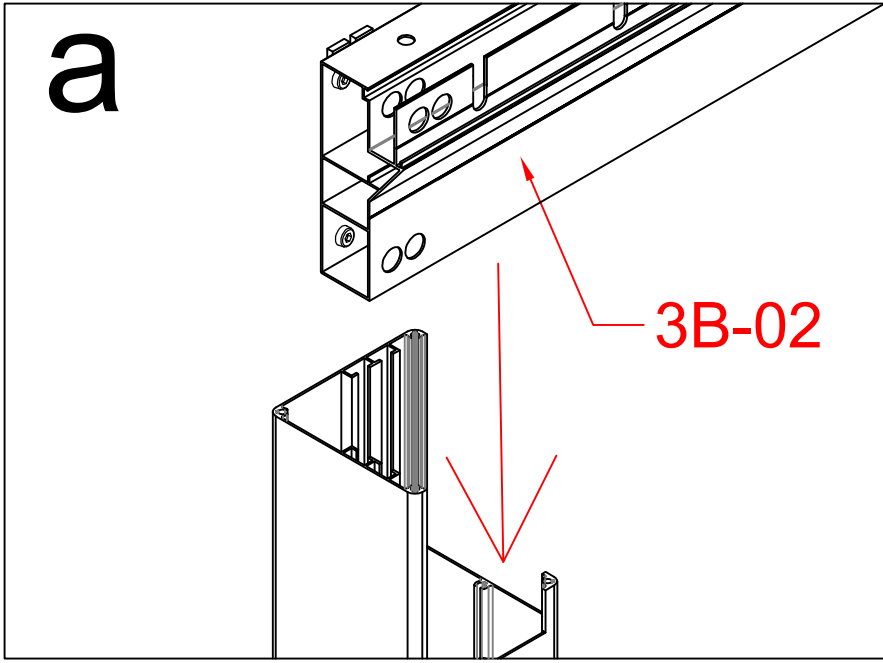
Item	Drawings	Qty
3B-24		1
3B-30		1
3B-31		1



3B-01			4
3B-13			4
3B-22			24

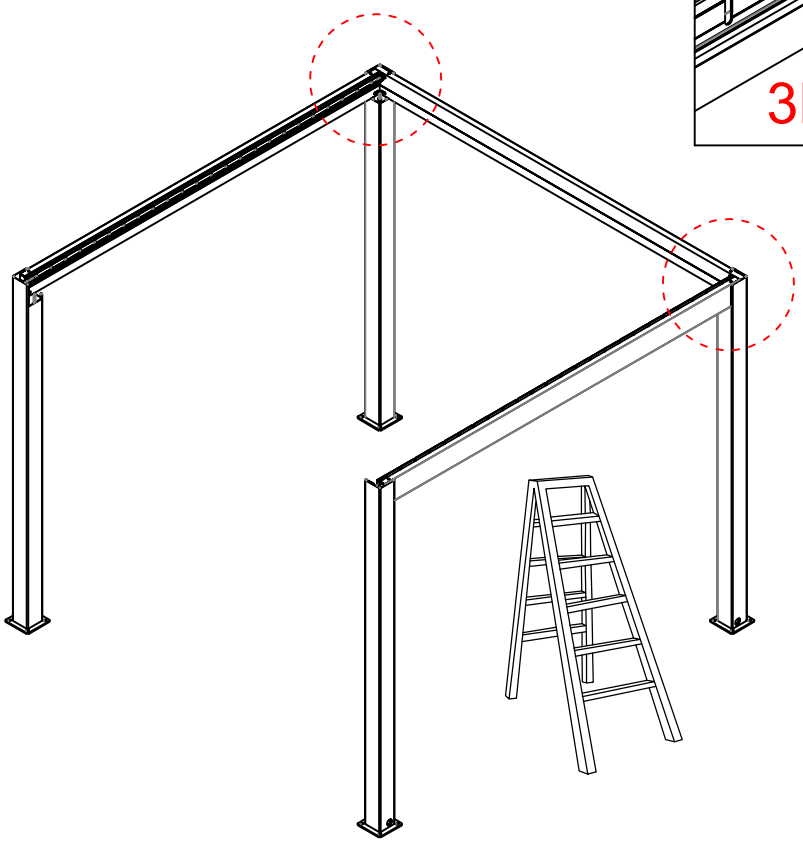
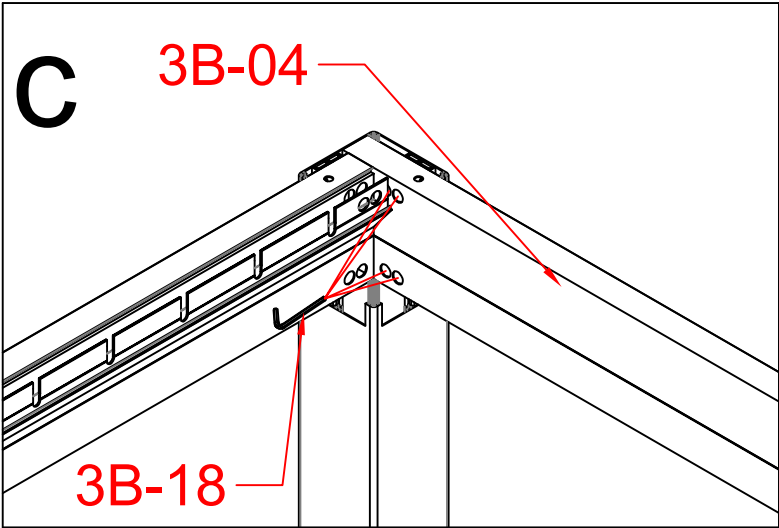
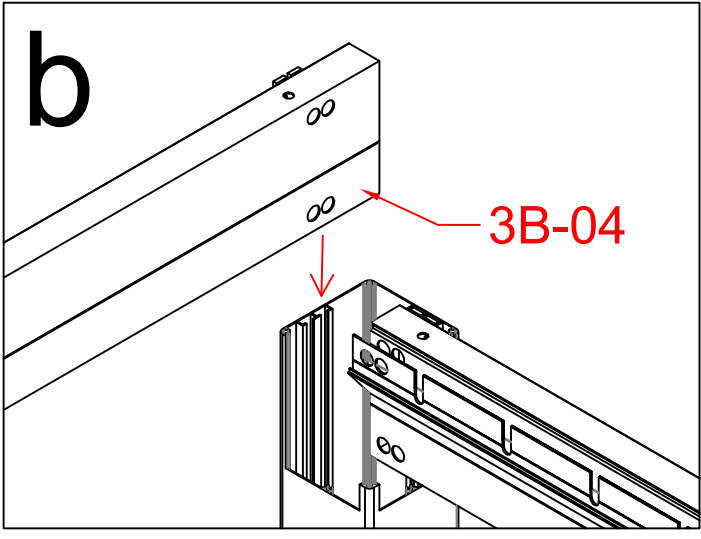
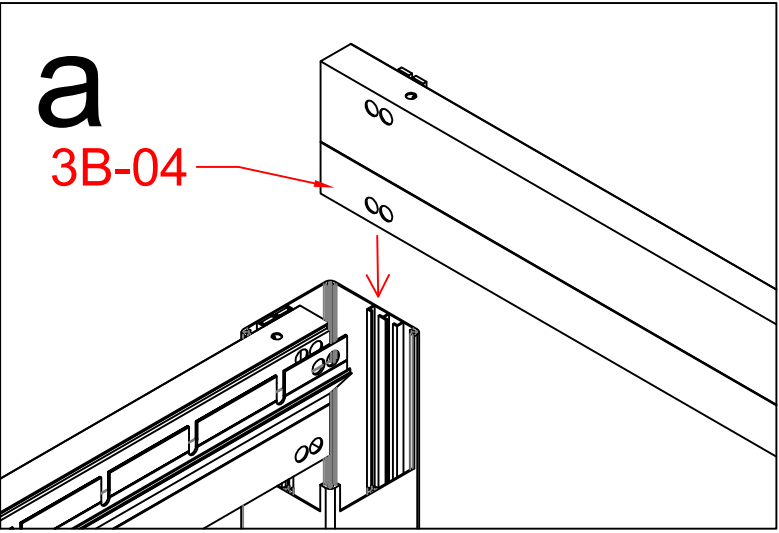





3B-03			1
3B-18			1

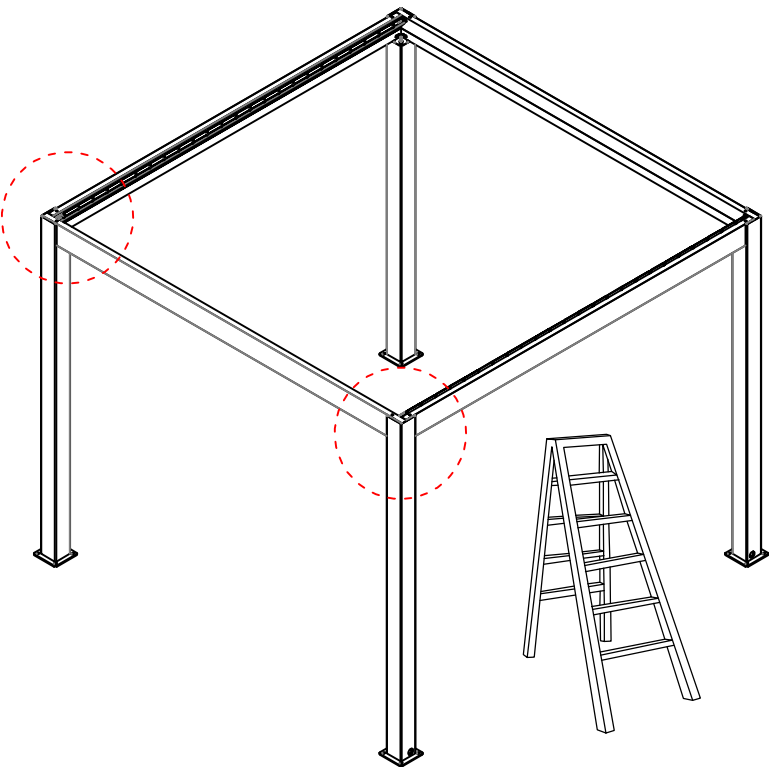
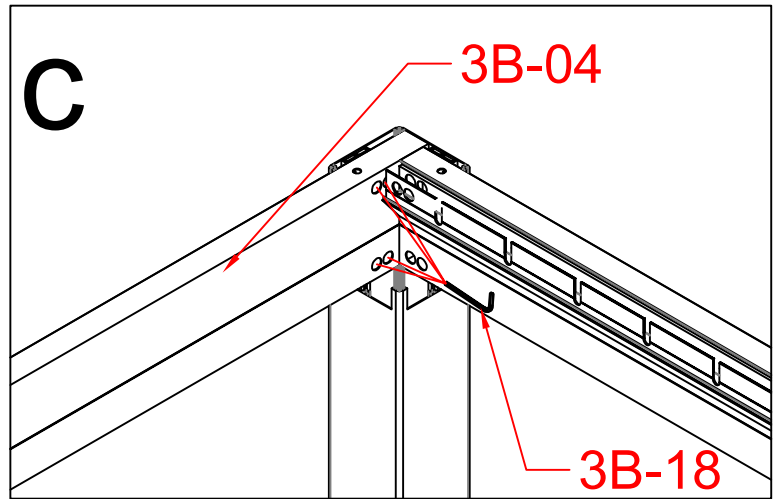
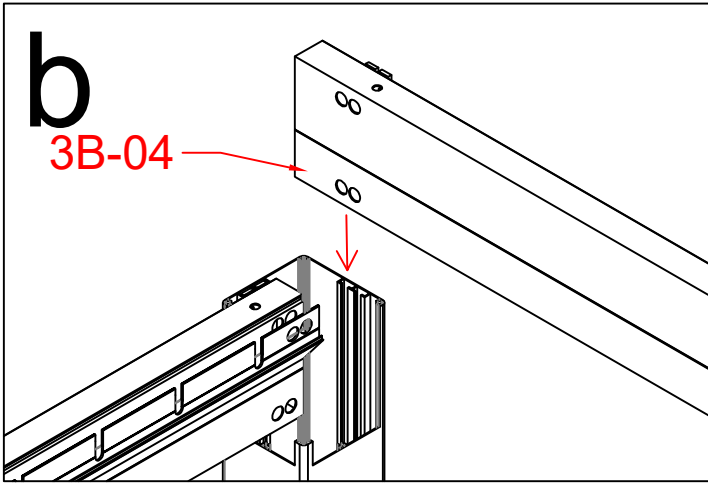
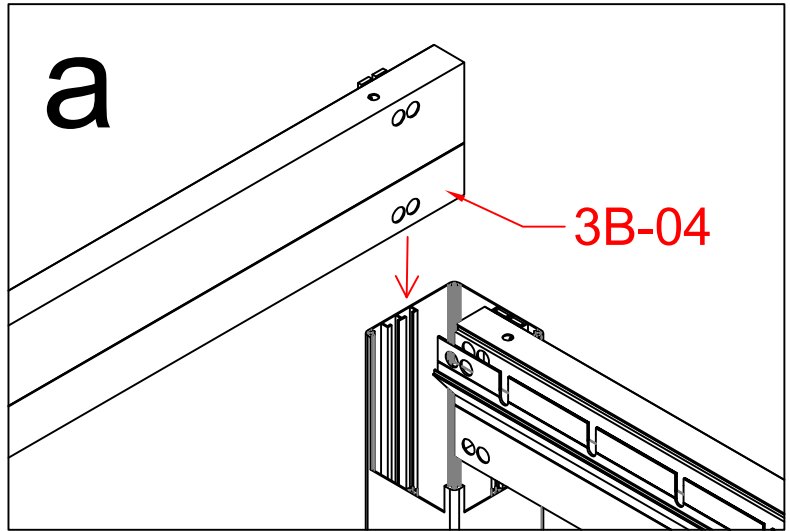





3B-02			1
3B-18			1

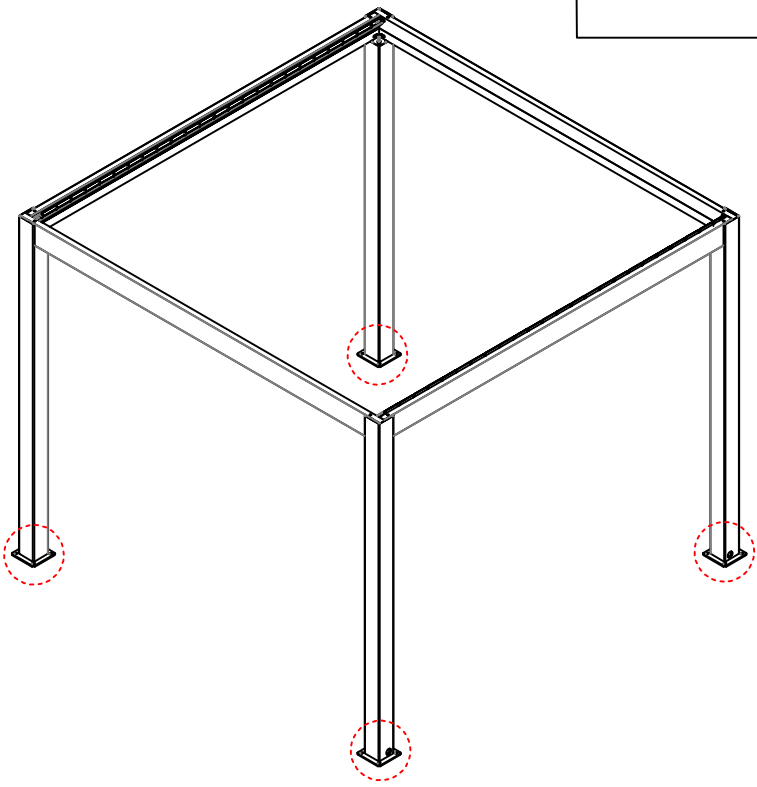
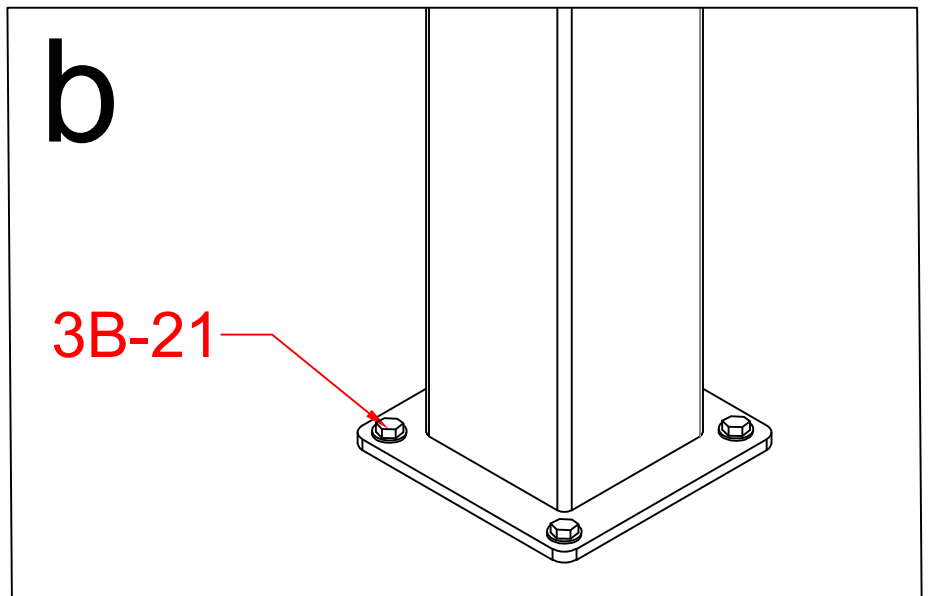
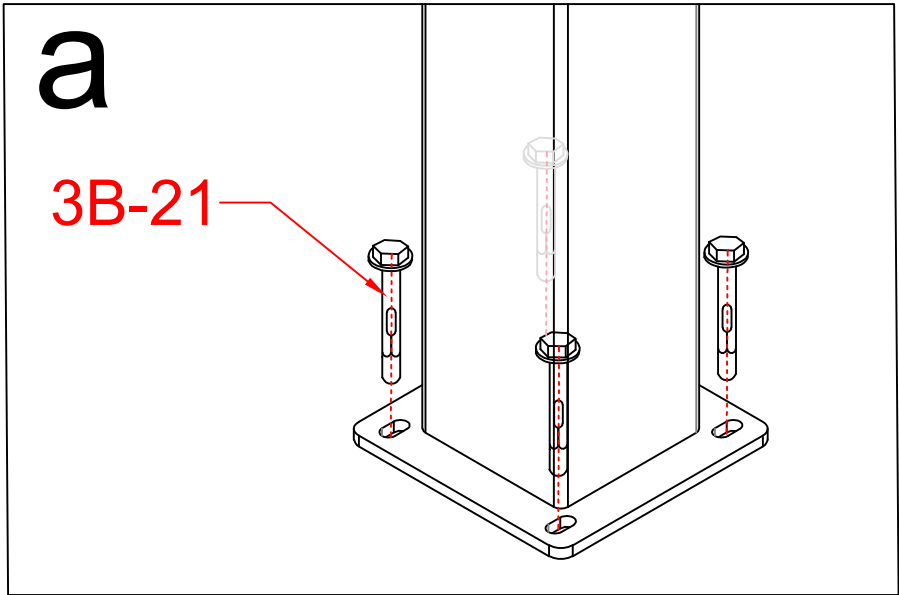




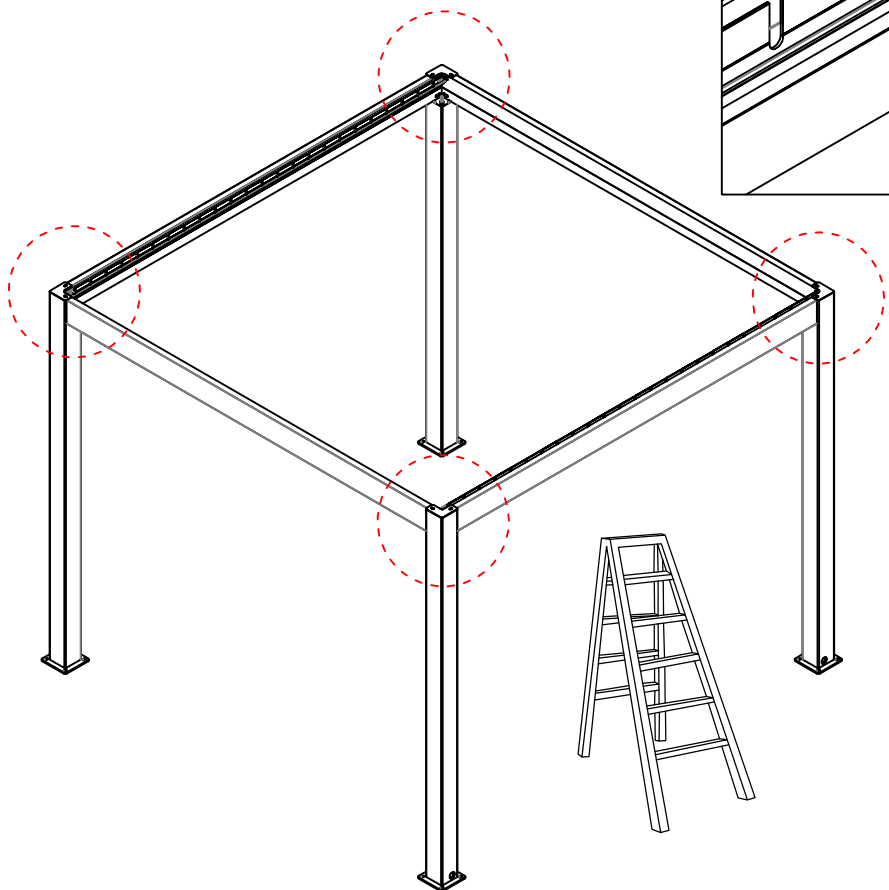
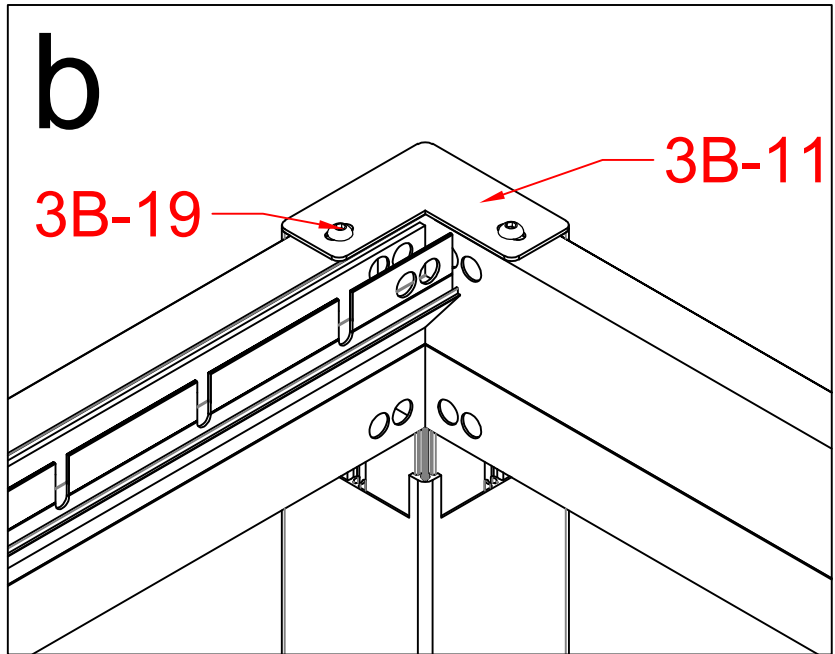
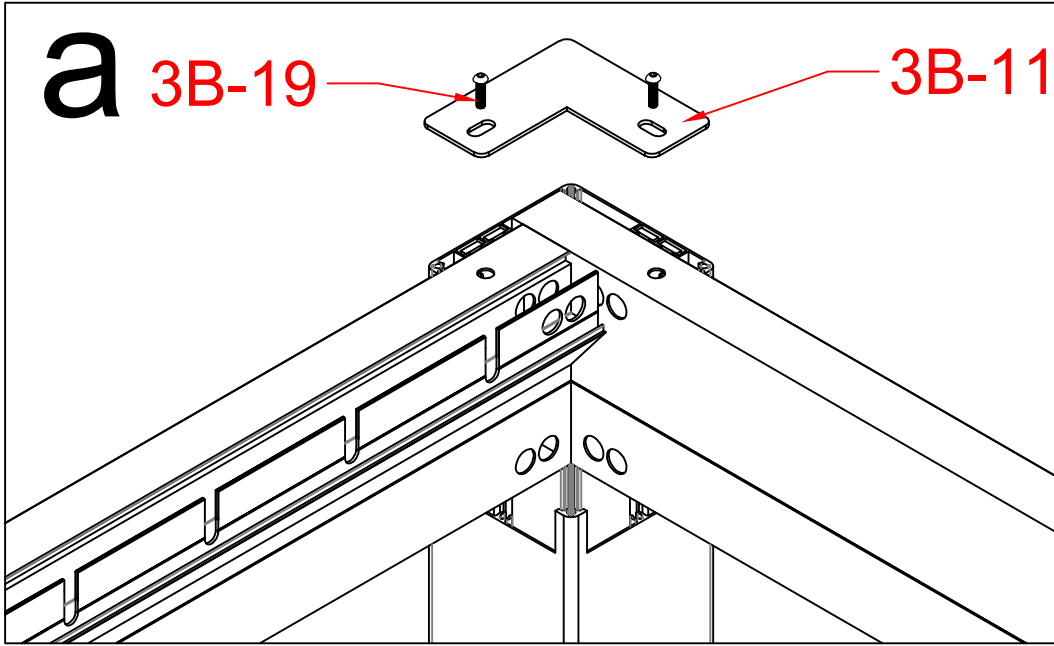
3B-04			1
3B-18			1





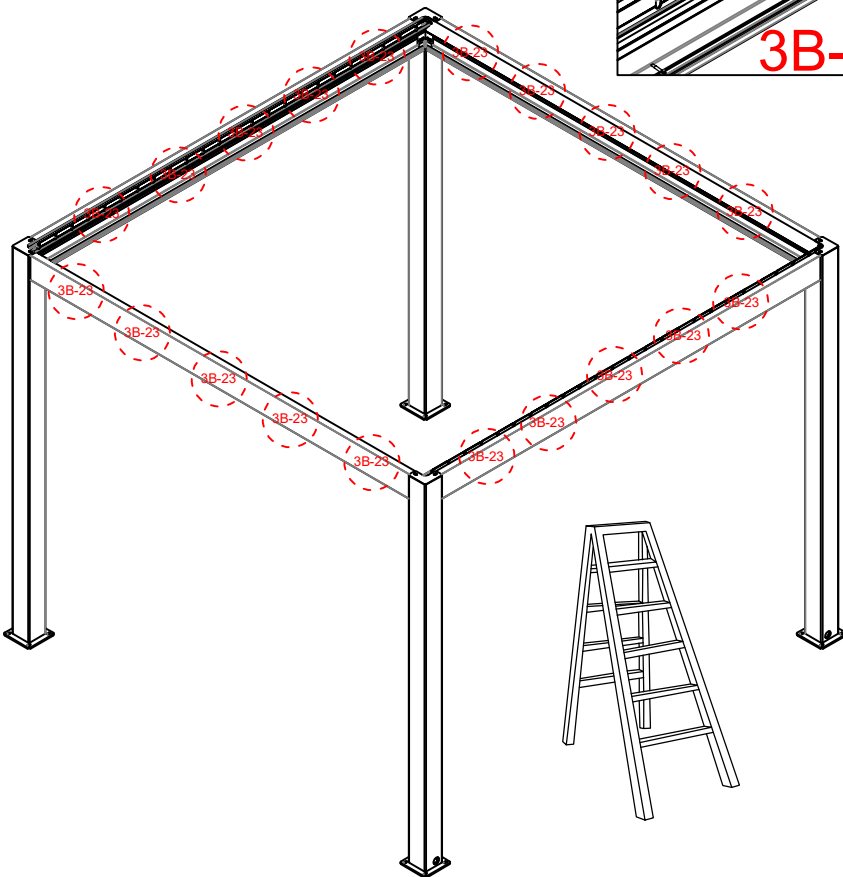
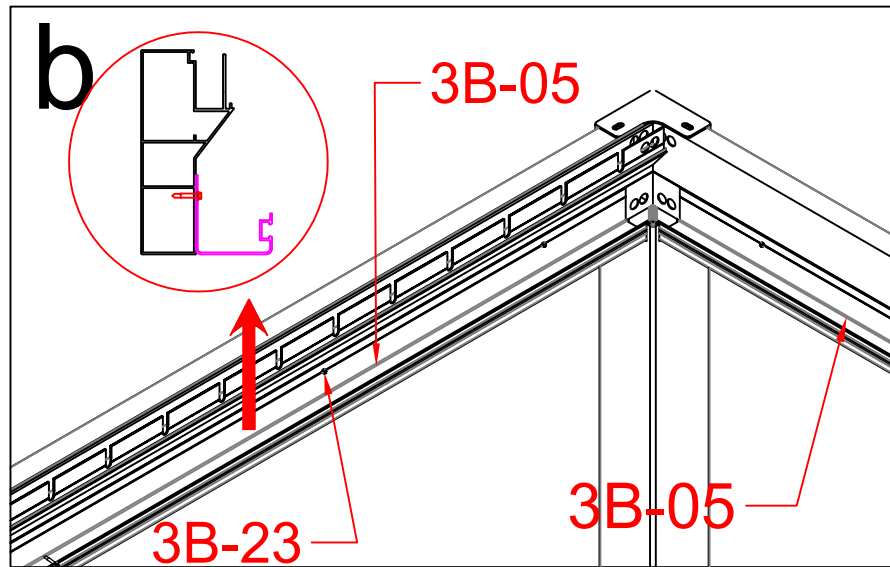
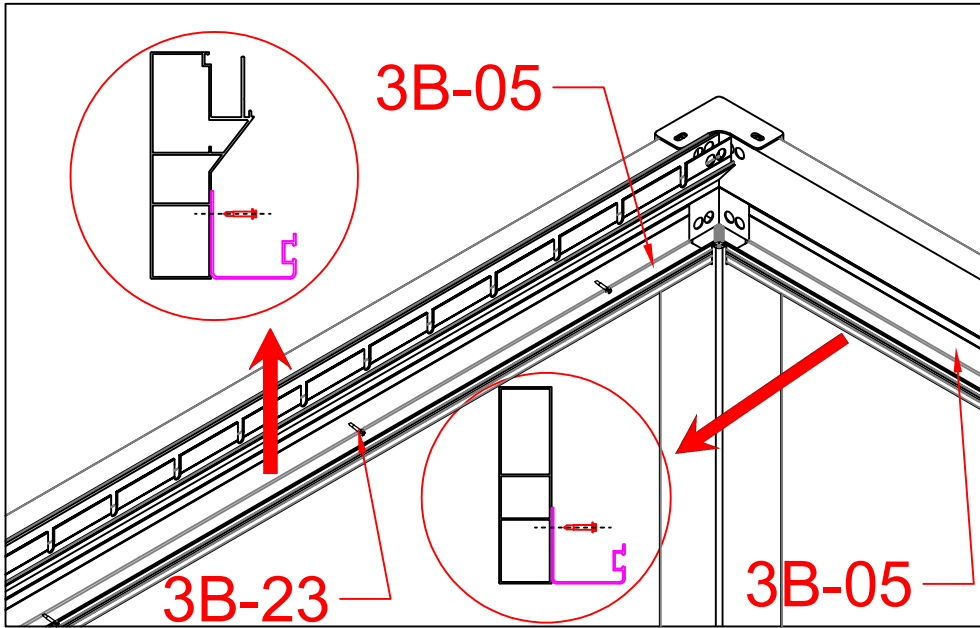
3B-04			1
3B-18			1



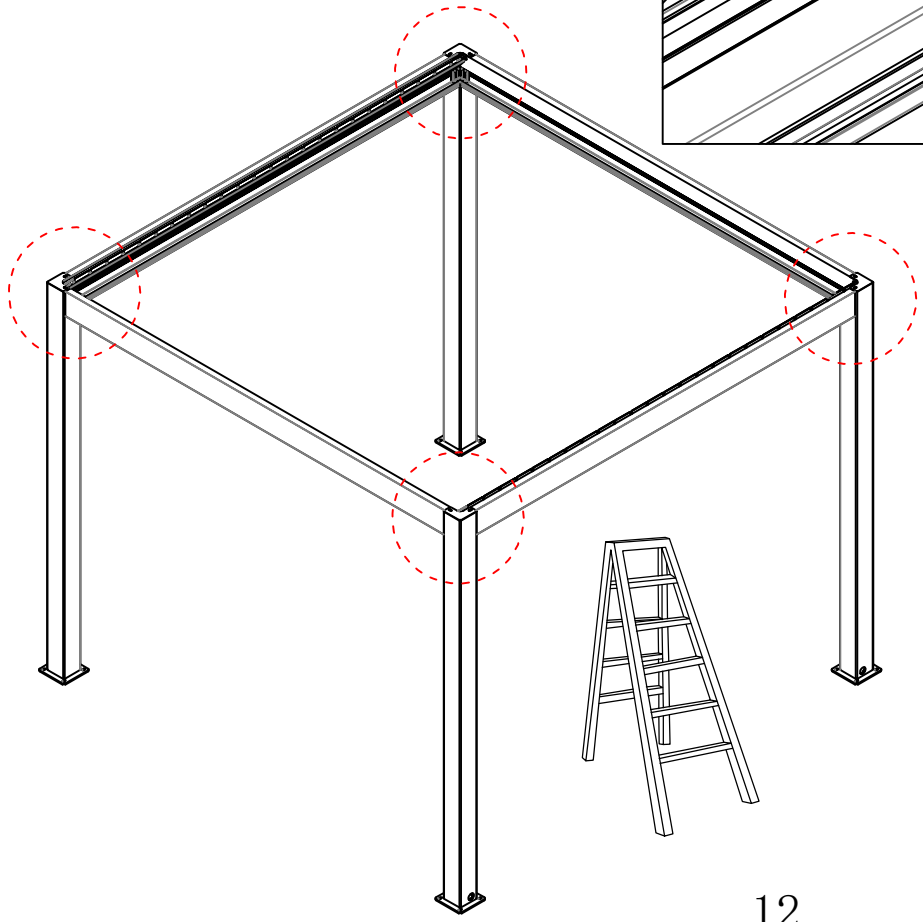
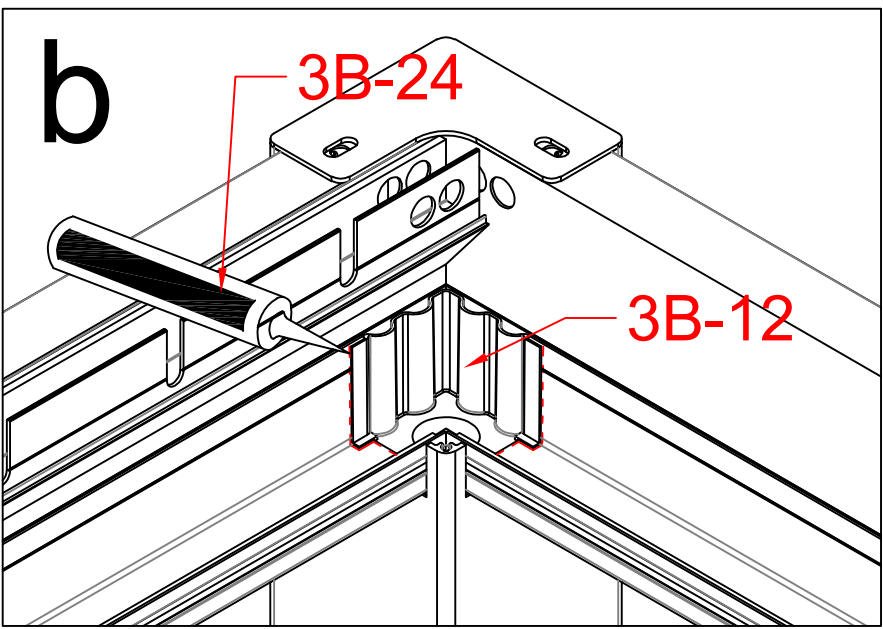
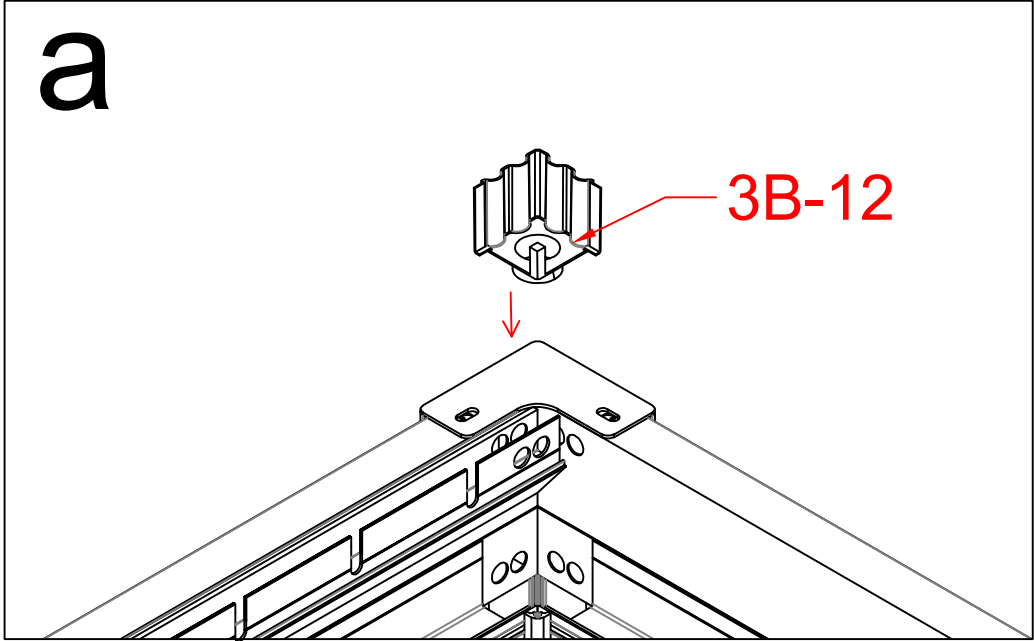
3B-21		16
-------	--	----





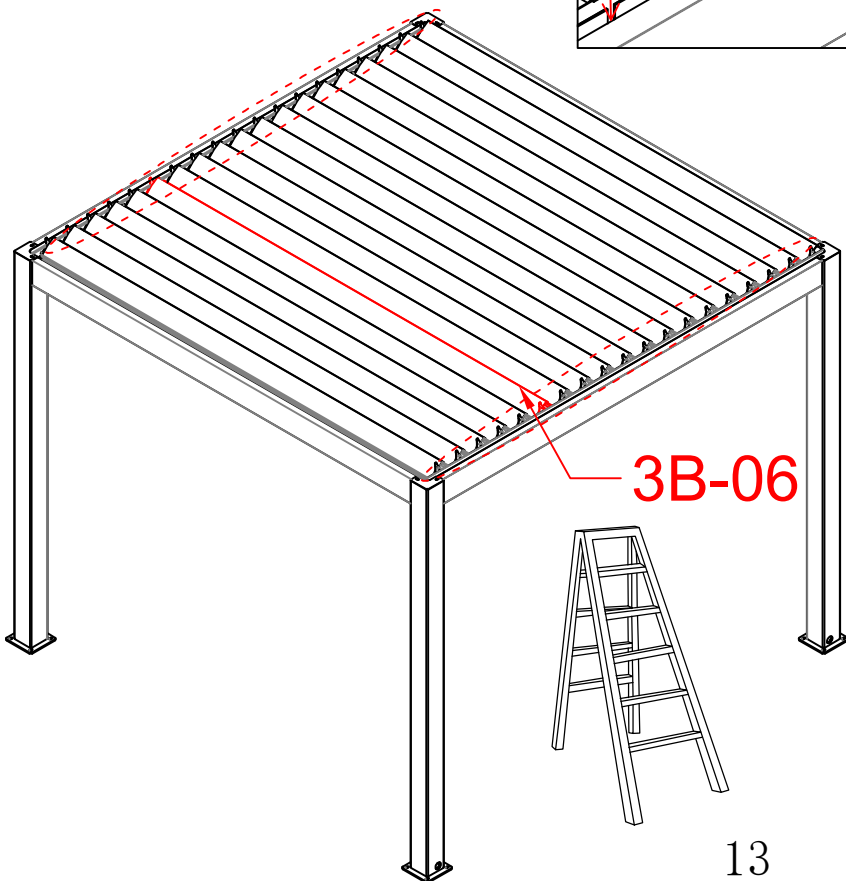
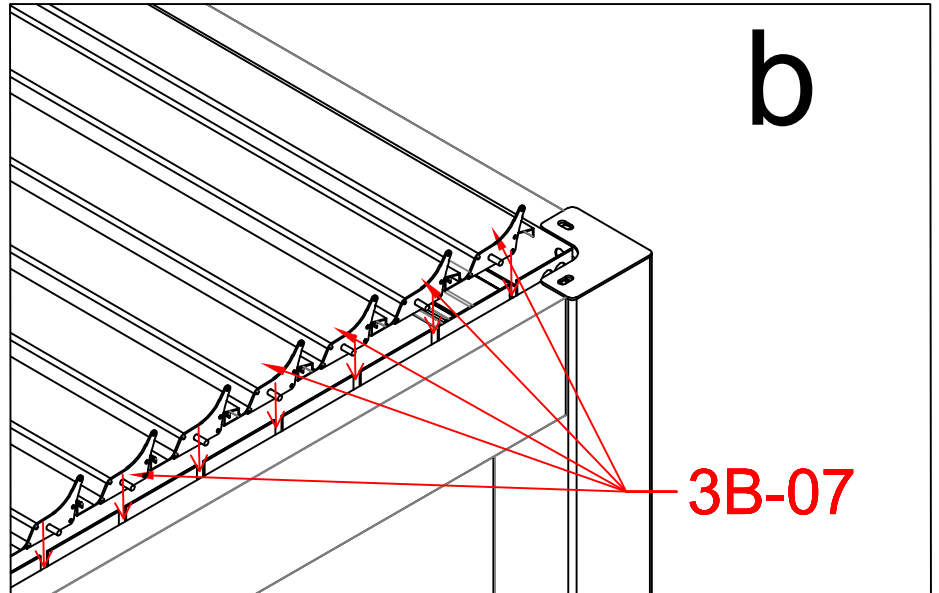
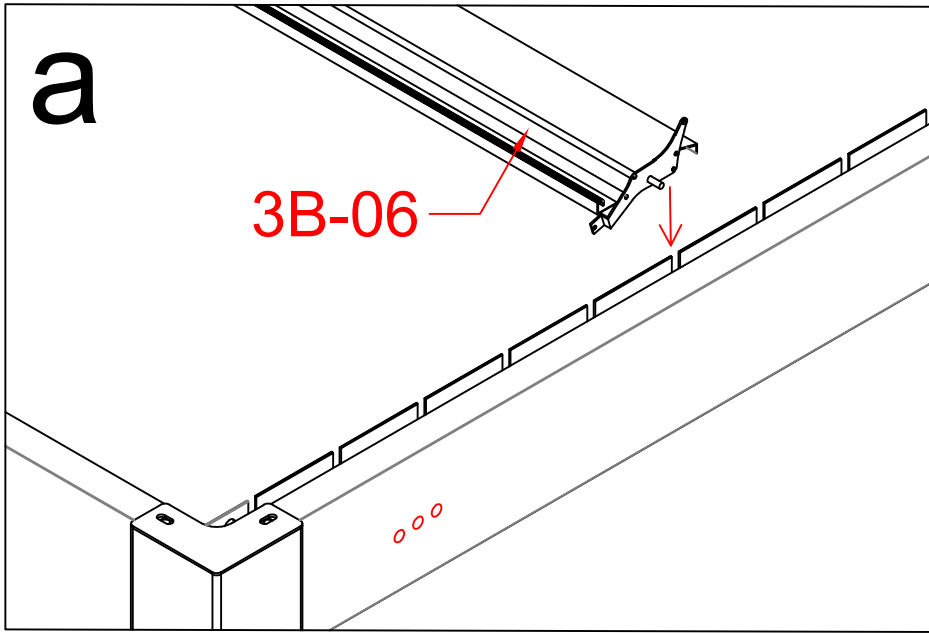
3B-11		4
3B-19		8


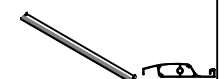


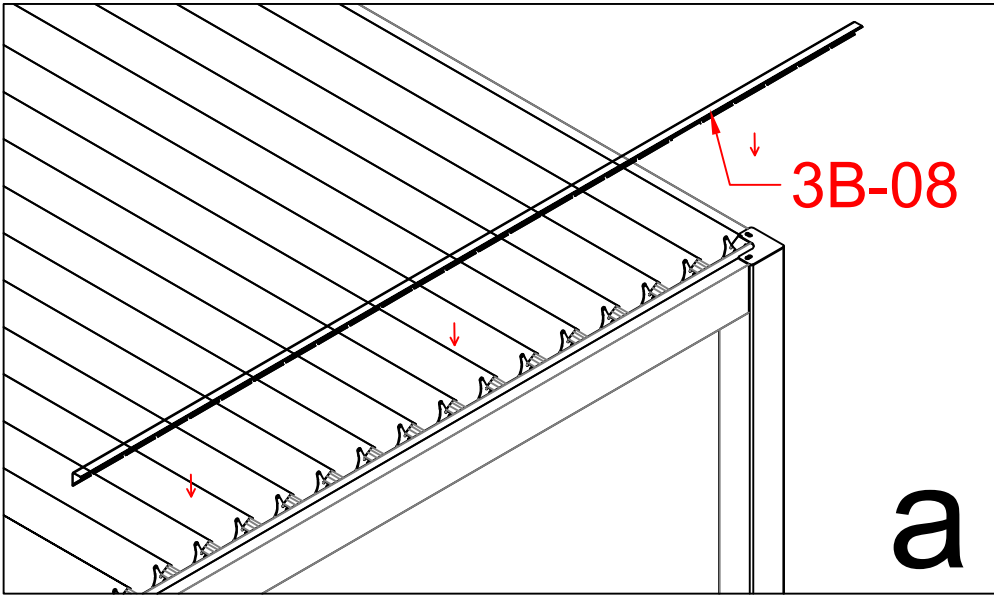
3B-05		4
3B-23		20



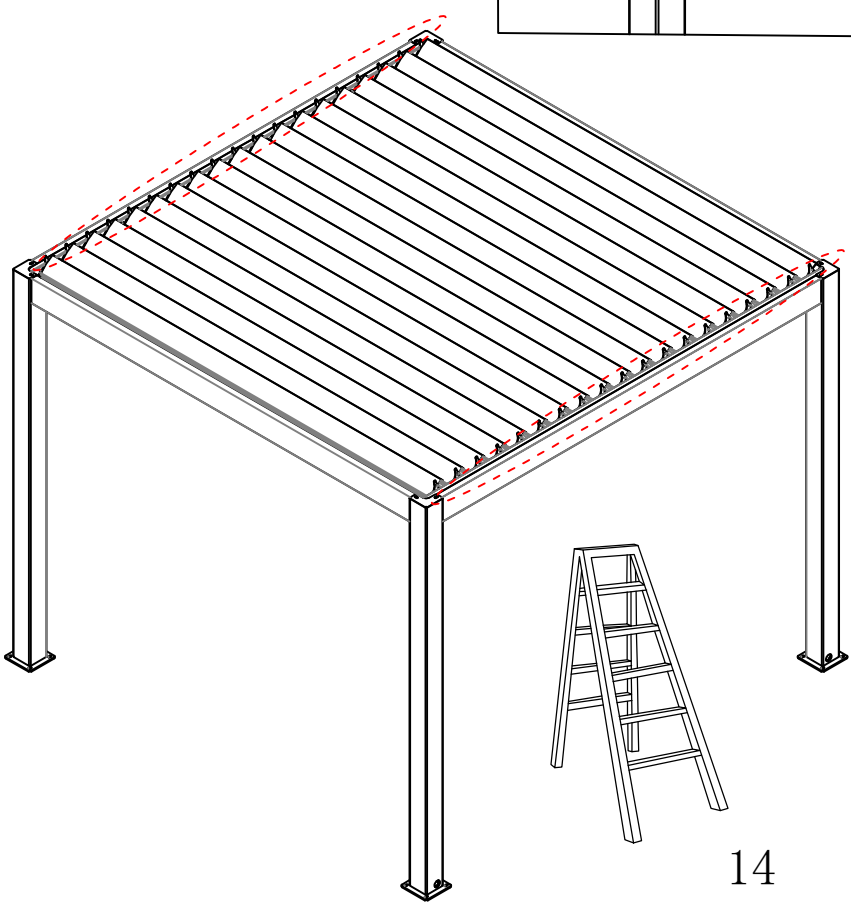
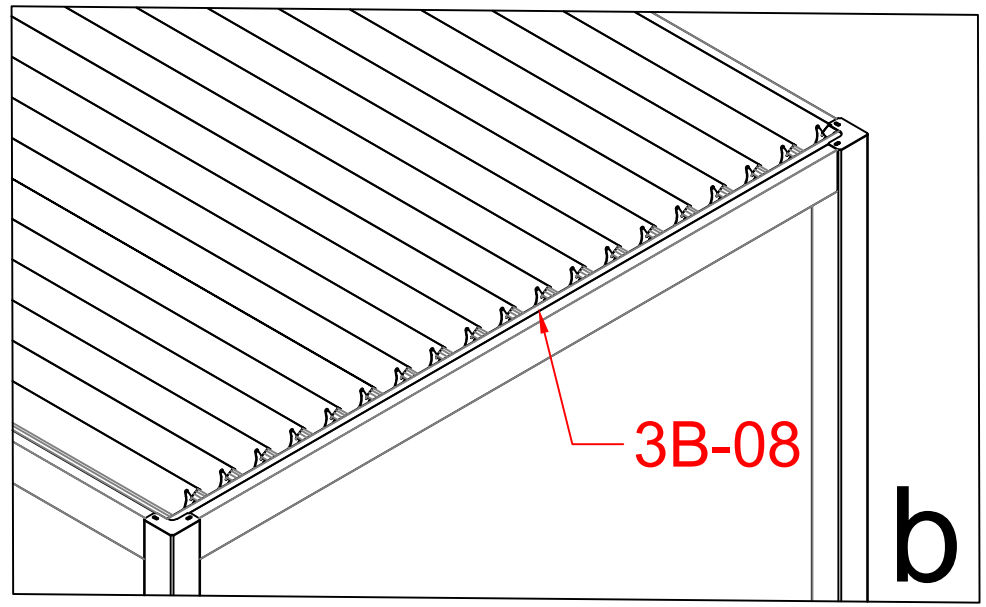
3B-24		1
3B-12		4



3B-06		1
3B-07		26

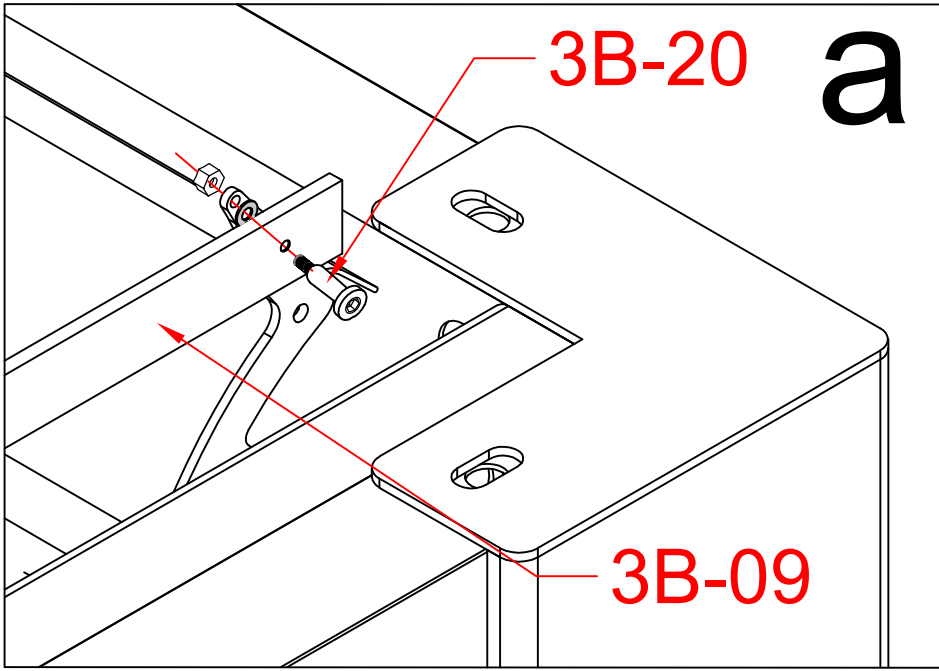


**warning:**  
Buckle cover left  
and right

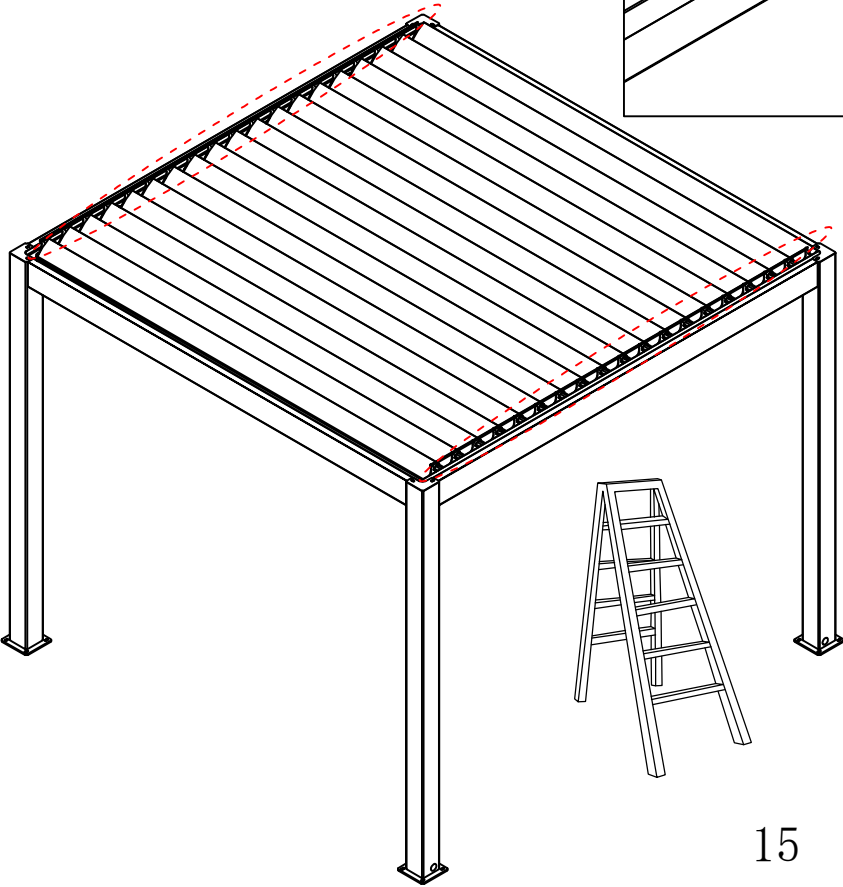
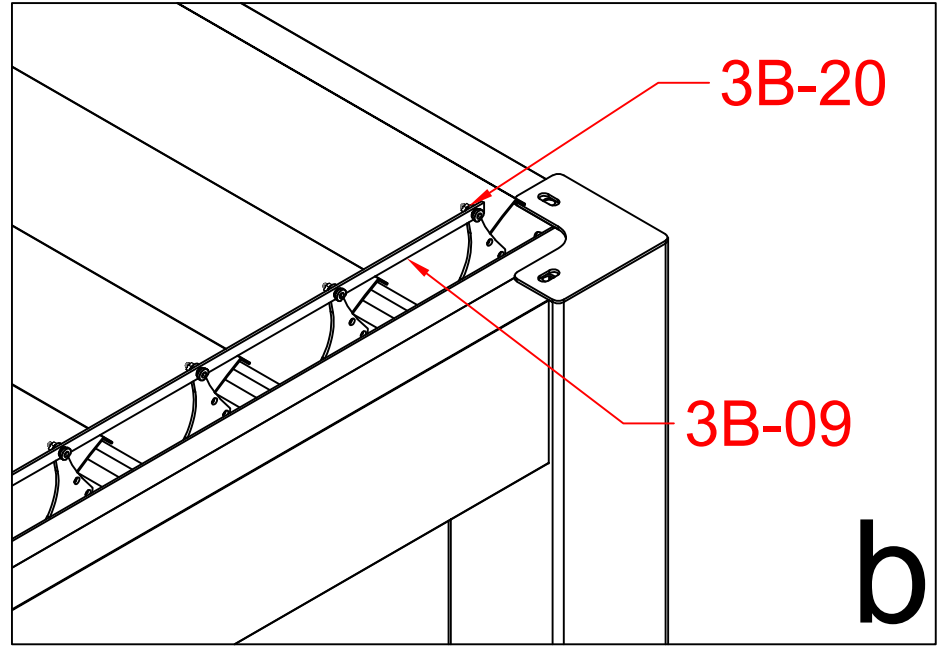


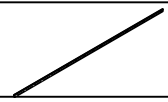

3B-08			2
-------	--	--	---

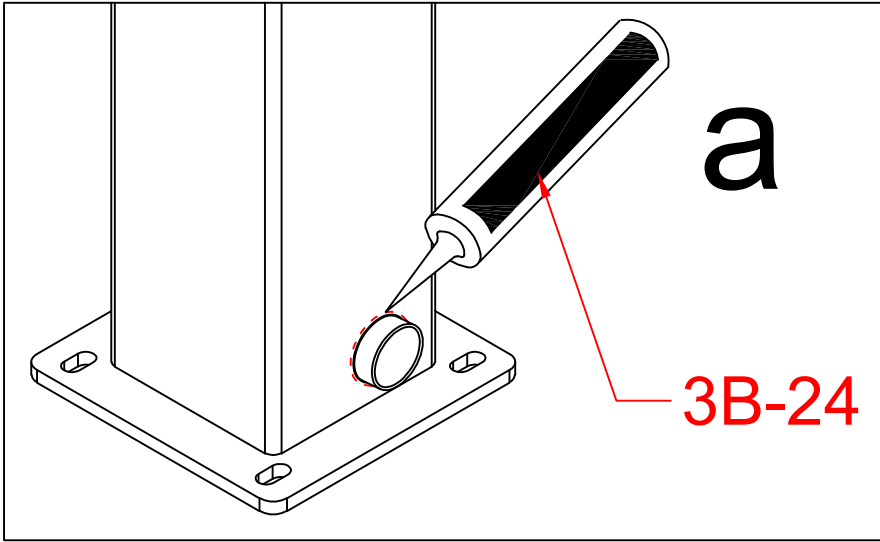




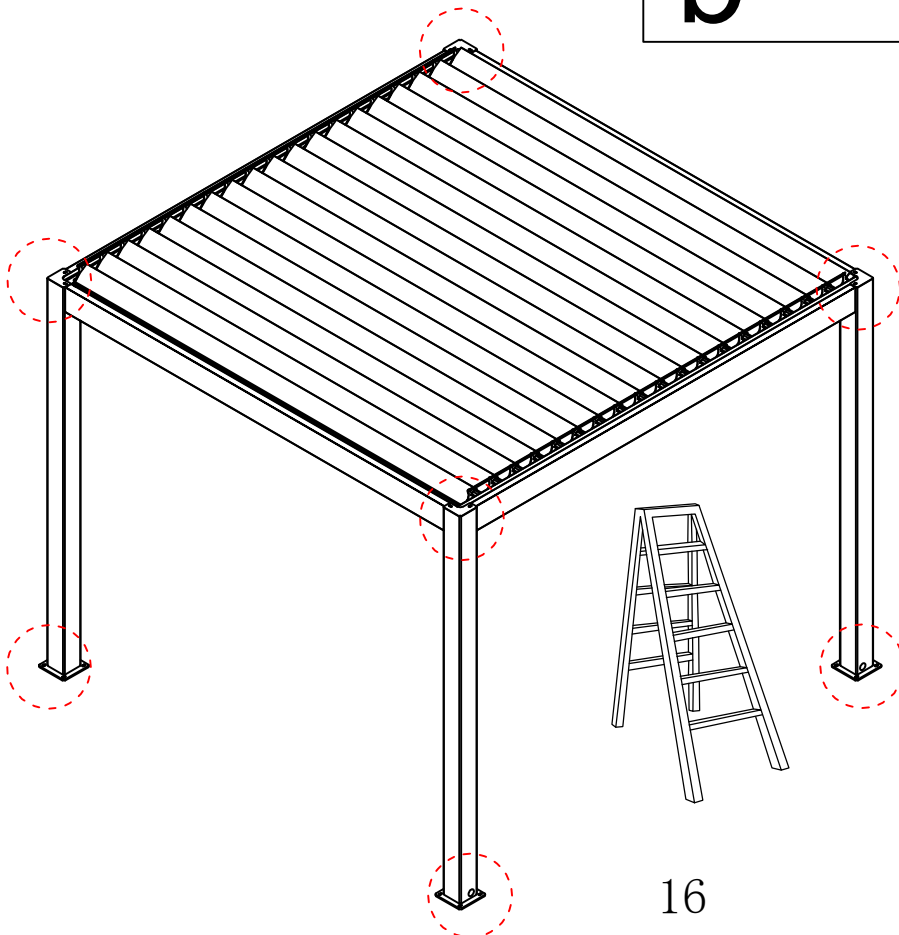
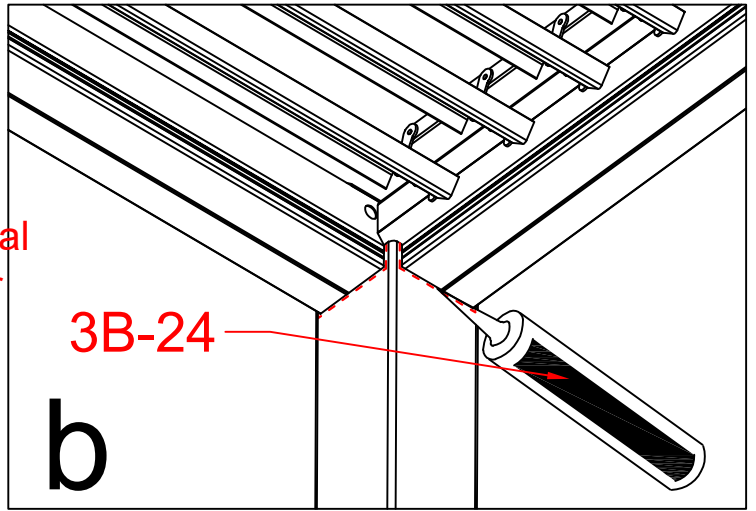
warning:  
Bolts must be tightened



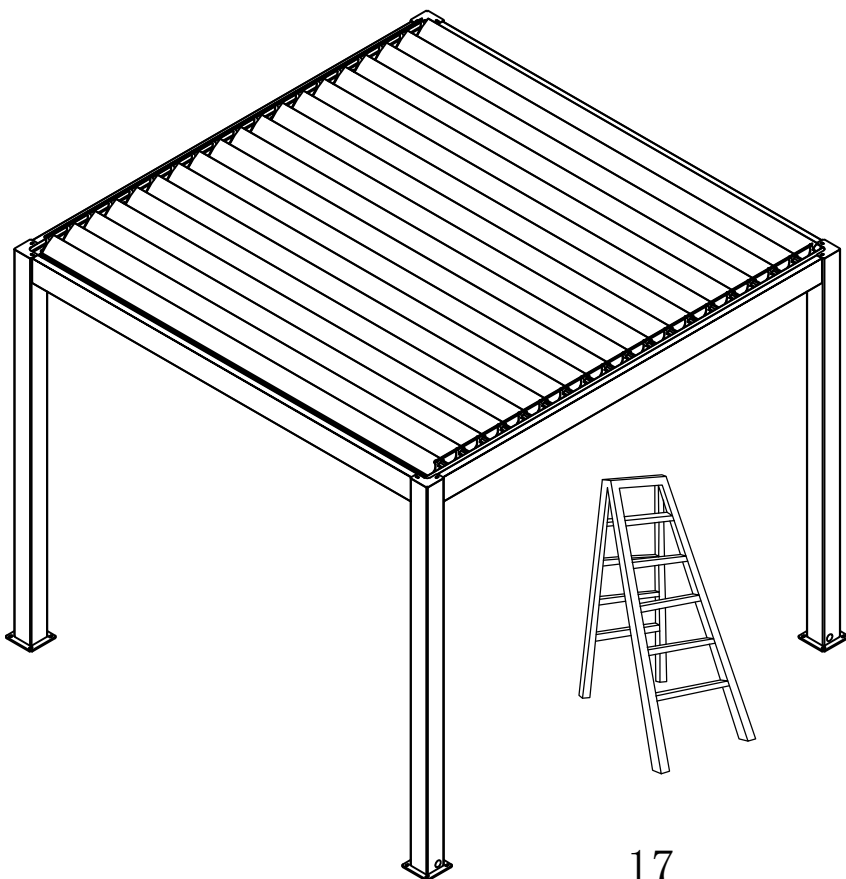
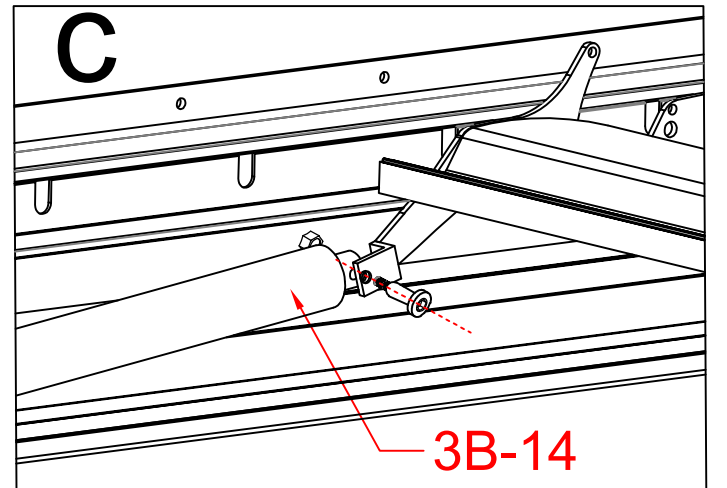
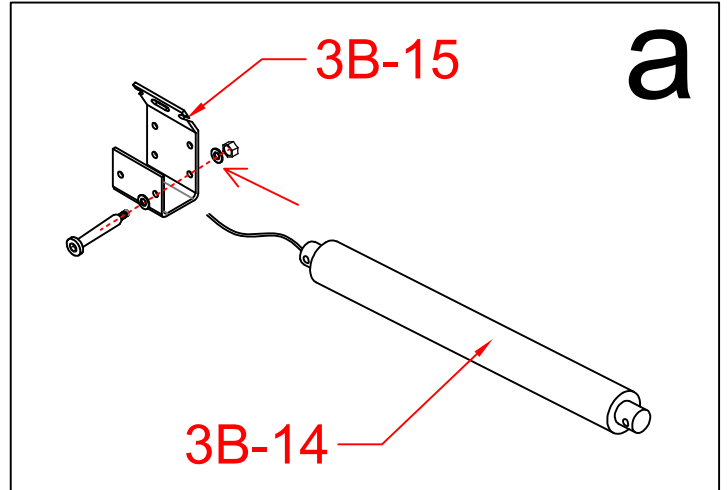
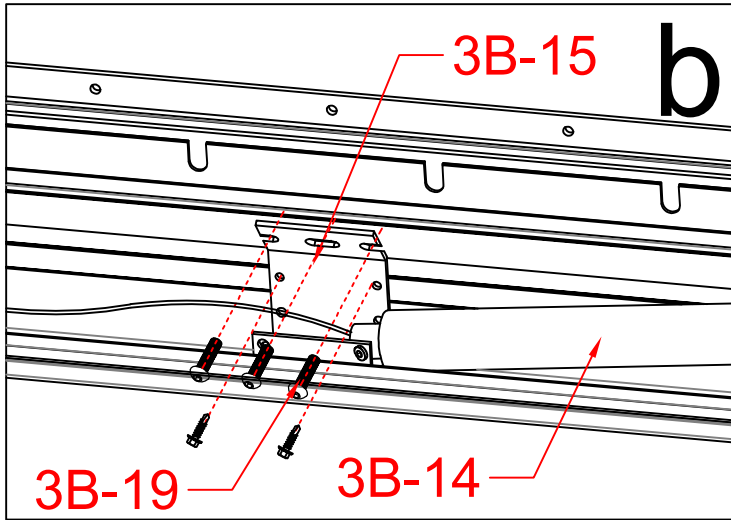
3B-09		2
3B-20		54


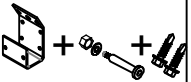



**Warning**  
 In Snow season or in case of snow forecast open up your shutters in vertical position to avoid any damaging on your pergola. .

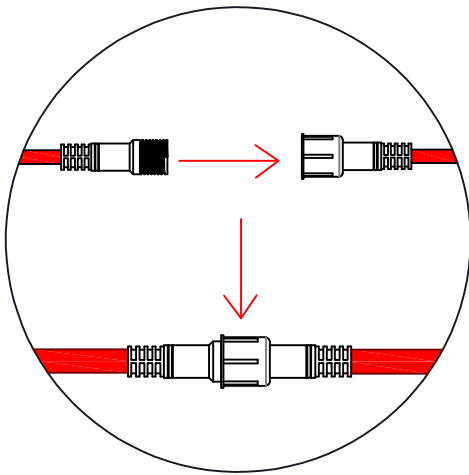
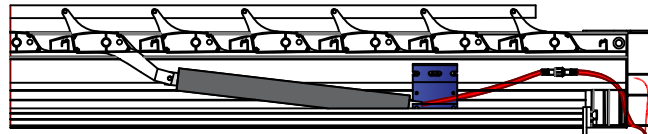


3B-24		1
-------	---	---

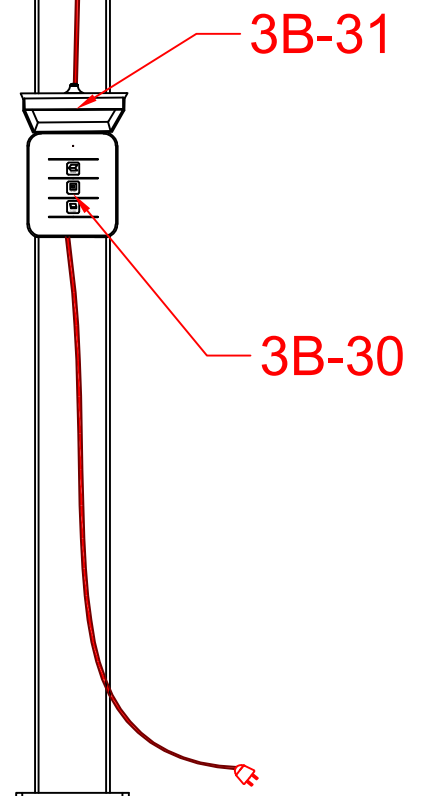




3B-14		1
3B-15		1
3B-19		3

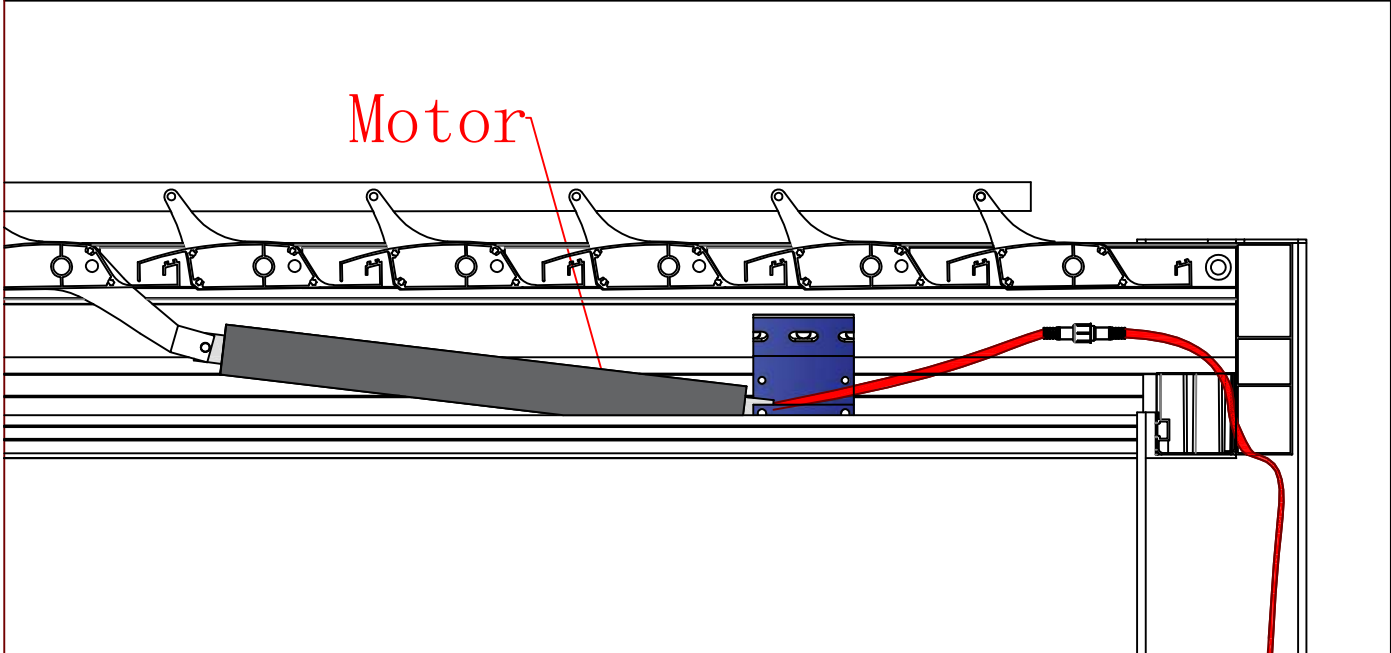
# Motor wires diagram



Wires Diagram



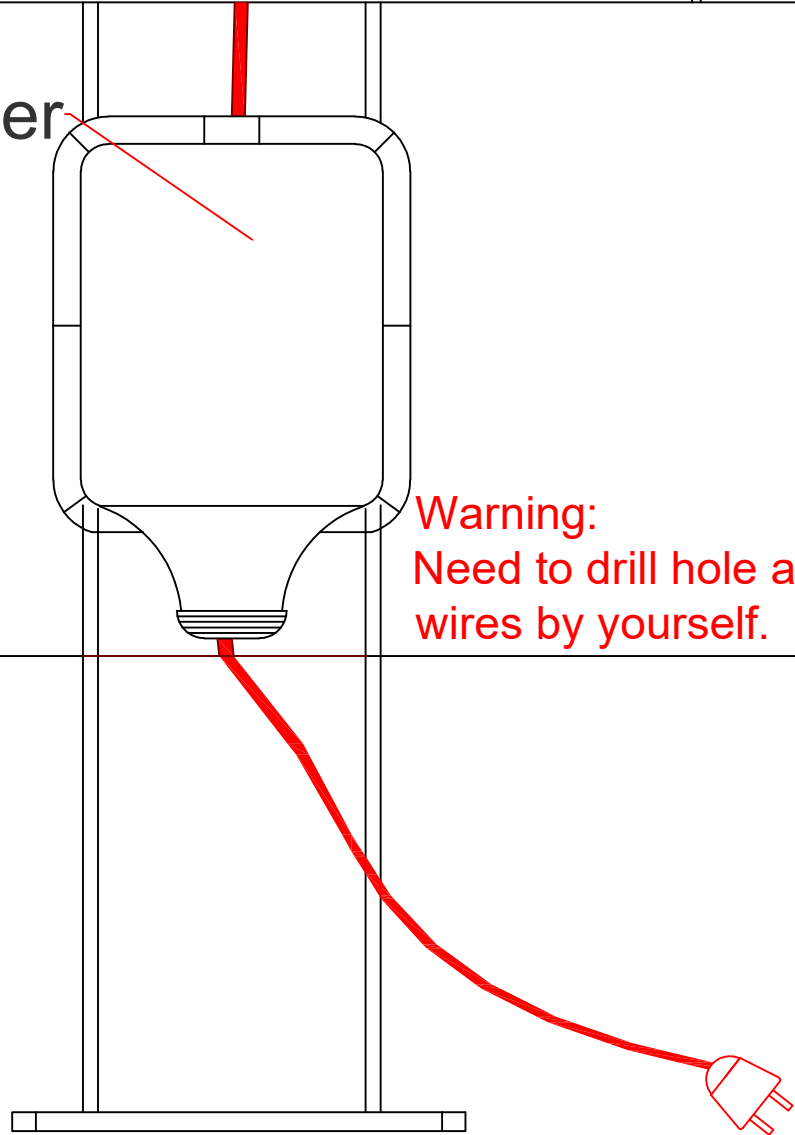
3B-30		1
3B-31		1



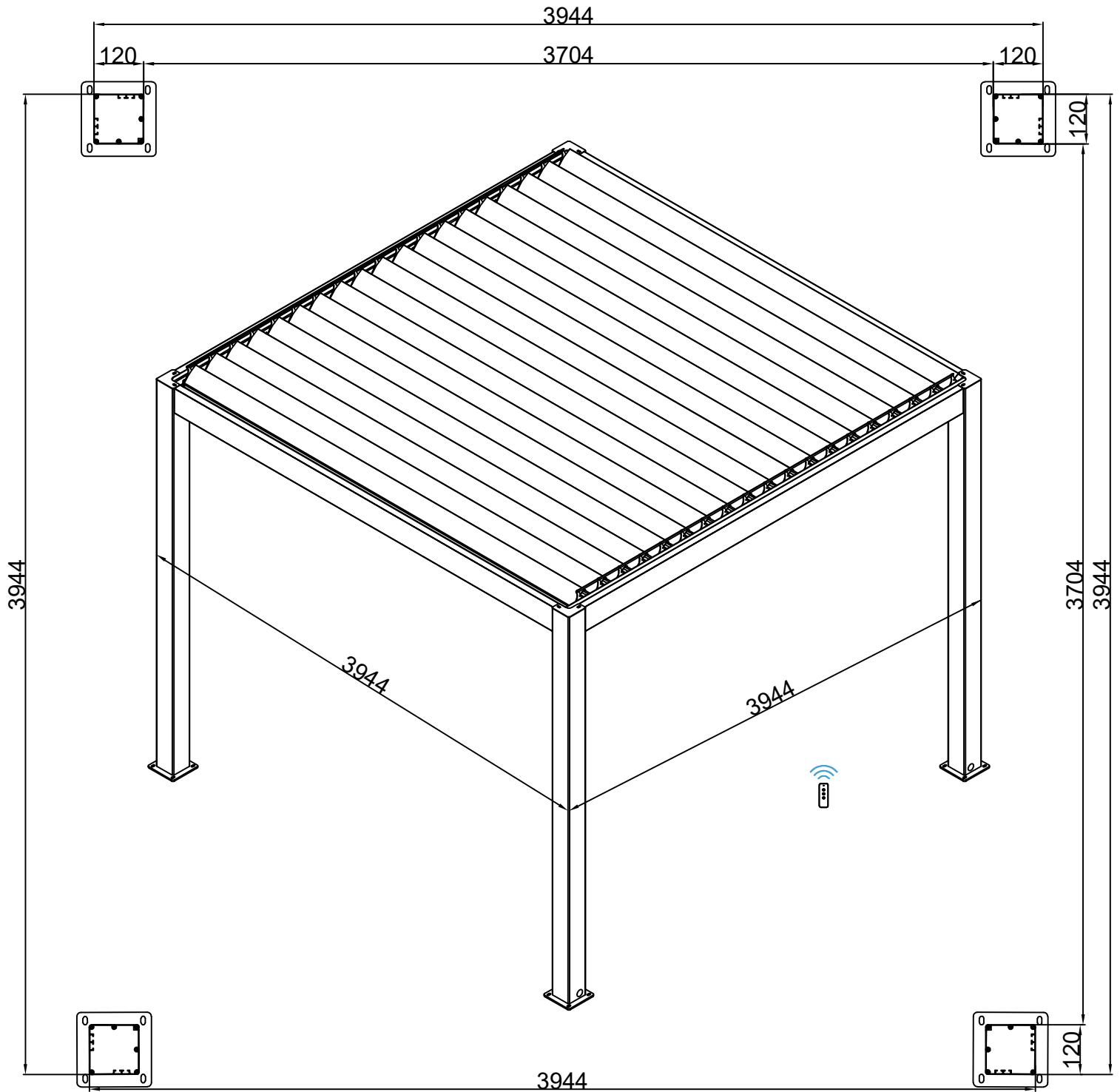
Motor controller

Power in: 220V  
Power Out To  
Motor: DC24V

Warning:  
Need to drill hole and put  
wires by yourself.



Warning:  
Need to drill hole and put  
wires by yourself.



After-Sale Service Hotline: (+31) (0) 548 212113  
 Address: Galvanistraat 13A, Rijssen, The Netherlands  
 Postal code: 7461JC  
 E-mail address: [info@lamella.nl](mailto:info@lamella.nl)