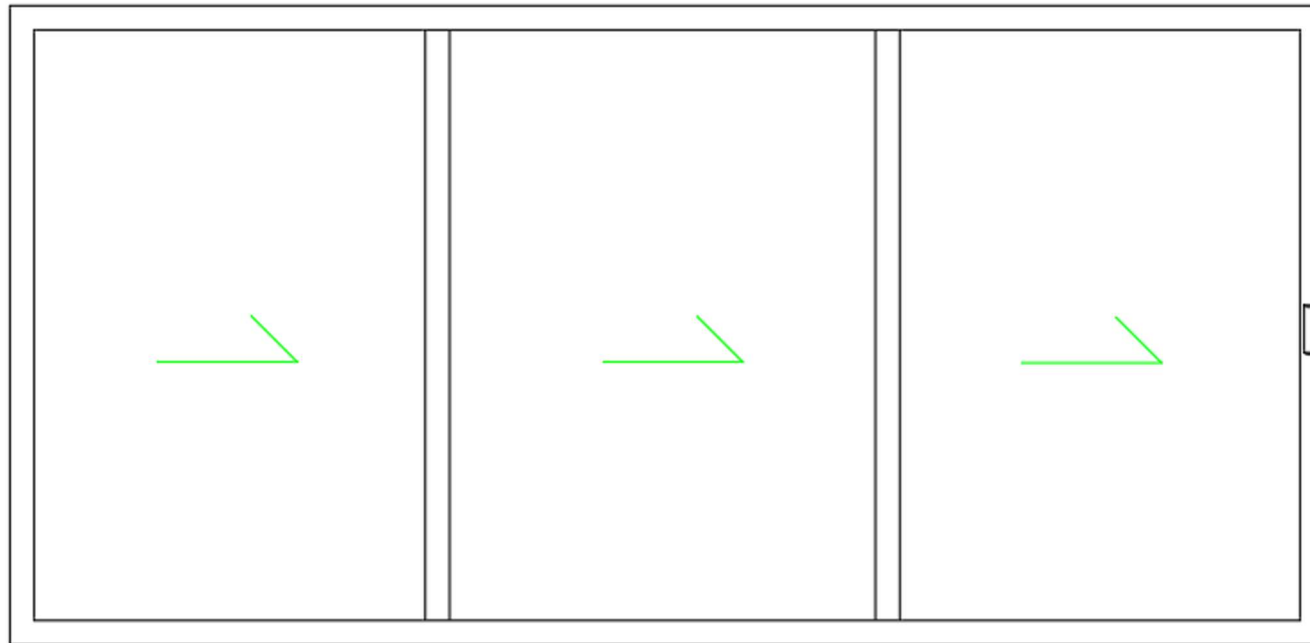










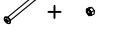


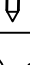
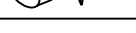




## INSTALLATION INSTRUCTIONS

---WITH FRAMED GLASS DOOR

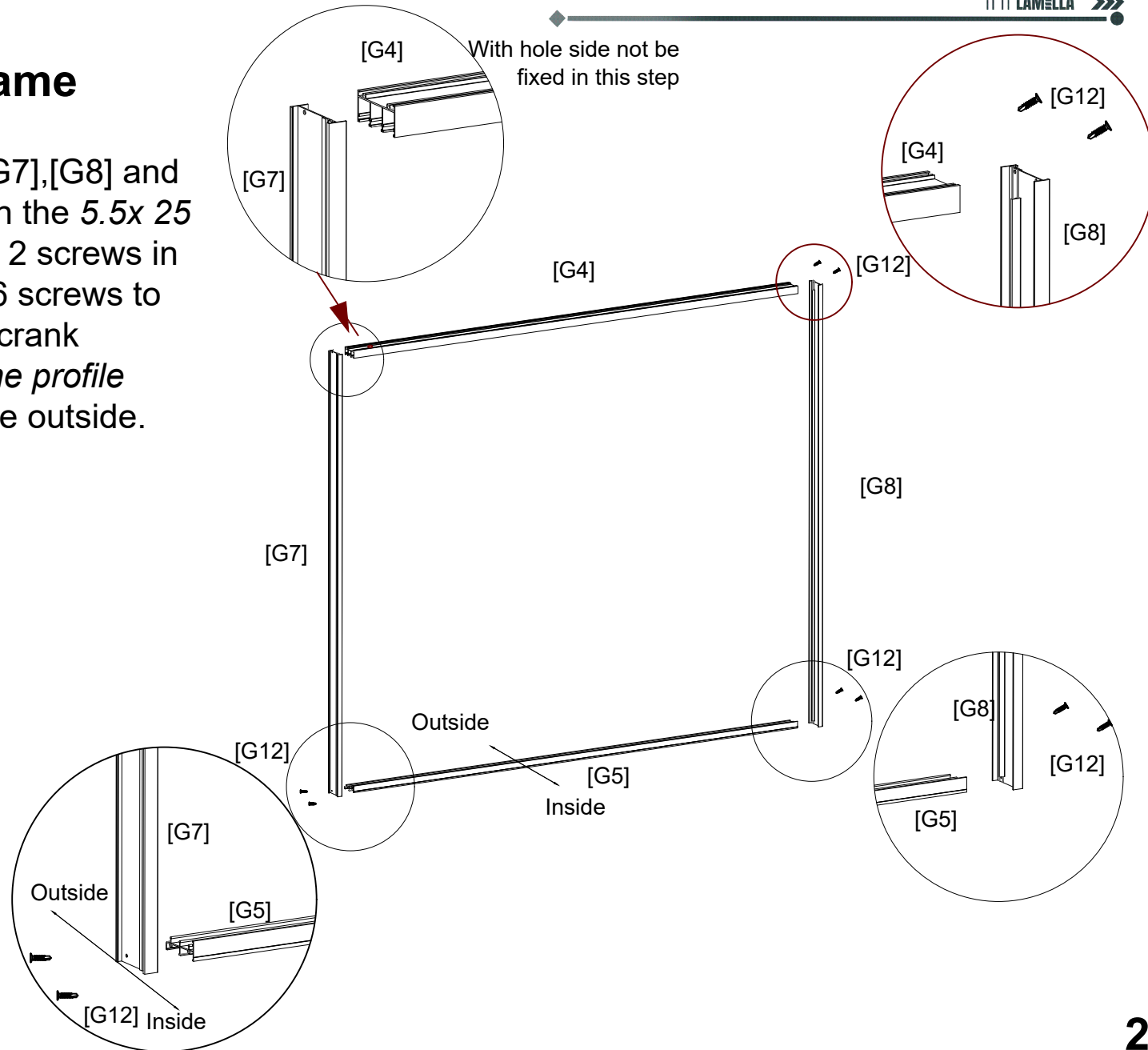


Part No.	Drawing	Name	QTY	Remark
[G1]		Framed sliding door-1 right	1 pc	Seen from inside to outside, 8 mm tempered glass, inside with handle mounting holes
[G2]		Framed sliding door -2 middle	1 pc	Seen from inside to outside, 8 mm tempered glass
[G3]		Framed sliding door-3 left	1 pc	Seen from inside to outside, 8 mm tempered glass, both sides with handle mounting holes
[G4]		Top frame profile (track)	1 pc	Seen from inside to outside, the left side with a hole for crank
[G5]		Bottom frame profile (track)	1 pc	Difference between outside and inside- See detail
[G6]		Connector	4 pcs	Use screws to fix the connector to the door
[G7]		Left frame profile	1 pc	Seen from inside to outside, difference between right and left profile
[G8]		Right frame profile	1 pc	Seen from inside to outside, difference between right and left profile
[G9]		Single handle	1 pc	Single handle with cover and two types of screws
[G10]		Double handle	1 pc	Double handle with cover and two types of screws
[G11]		M5 bolt with nut	4 pcs	For fixation of double handle to door
[G12]		5.5x 25mm screw	8 pcs	For frame assembly
[G13]		4.2x 32mm screw	12 pcs	For frame installation
[G14]		3x16mm screw	12 pcs	For fixation of the connector to the door
[G15]		Stopper	2 pcs	With corresponding 4.2x19 mm screws

**Note: The above quantity are the assemble usage quantity, and the excess parts in the package are the free replacement spare part.**

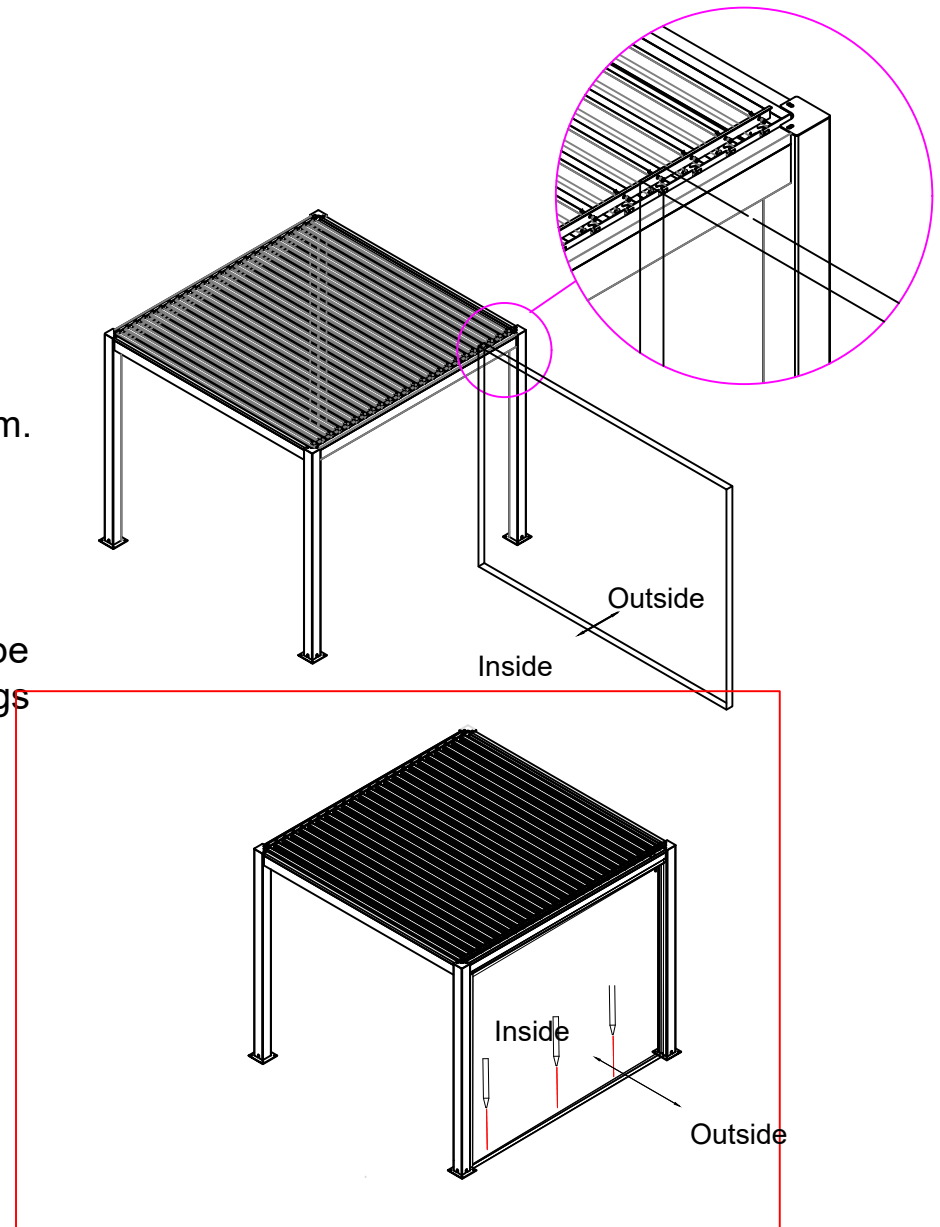
## Step 1 - Assemble the frame

Assemble the frame profiles [G4],[G7],[G8] and [G5] by fixing the parts together with the 5.5x 25 mm screws [G12]. There should be 2 screws in each corner, 8 in total. Firstly, use 6 screws to fix the corners except the one with crank hole. Be aware that the *Bottom frame profile (track)* [G5] have one inside and one outside.



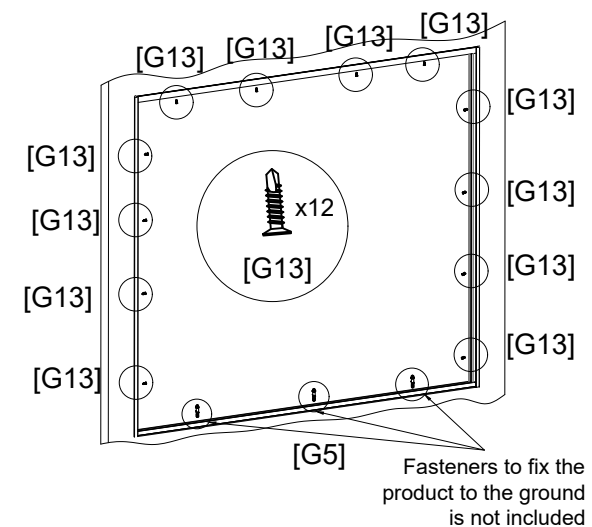
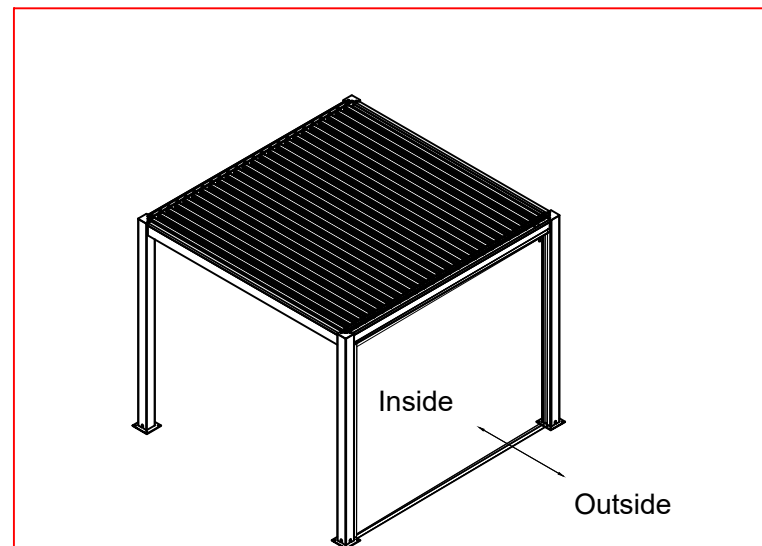
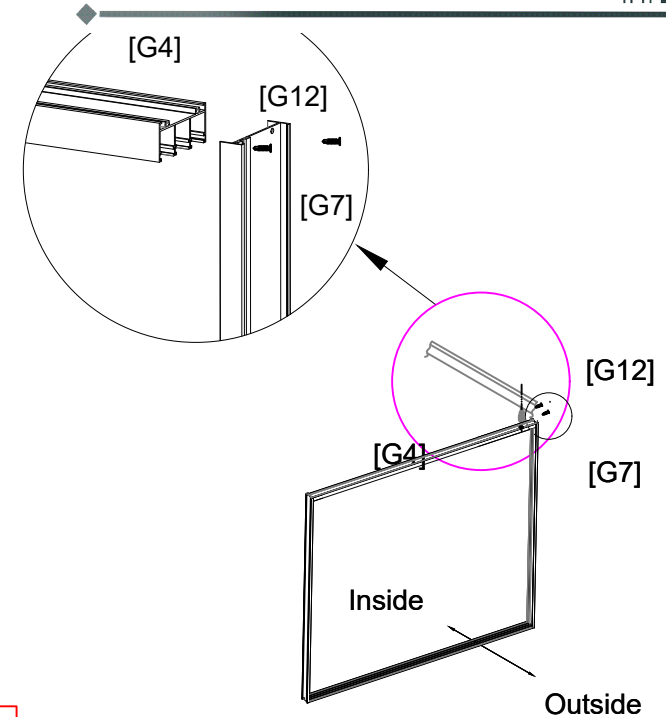
## Step 2 - Install the frame

- A. Before the frame can be installed, verify that the opening has the correct dimension, and that the ground is in level. The ground must be in level within 5 mm the whole length where the bottom frame is installed.  
Door's frame demension:2658x 2347mm or 3729x 2347mm.
- B. Lift the assembled frame, Put the crank through the hole. Then turn around the frame to the opening.
- C. If the ground is of concrete or similar, the frame needs to be fixed to the ground with screws and plastic plugs. The plugs needs a drilled hole in the ground before the frame can be fixed. If this is required, lift the assembled frame into the opening. Mark the position of the holes before you lift the frame out again. You can now drill the holes in the ground and install the plastic plug into the hole.



## Step 3 - Install the frame

- A. Put the frame stagger with the opening. Fixed the rest corner of the *Top frame profile (track)* [G4] and *Left frame profile* [G7] by the *5.5x25 mm screws* [G12]. Turn around the frame to the opening.
- B. Lift the frame into the opening and fix the frame to the sides and the top with the *4.2x32mm screws* [G13], and the *Bottom frame profile (track)* [G5] with suitable fasteners into the ground (plastic plugs if applied).



## Step 4 - Install the doors

Warning: 2 People are required to install the doors.

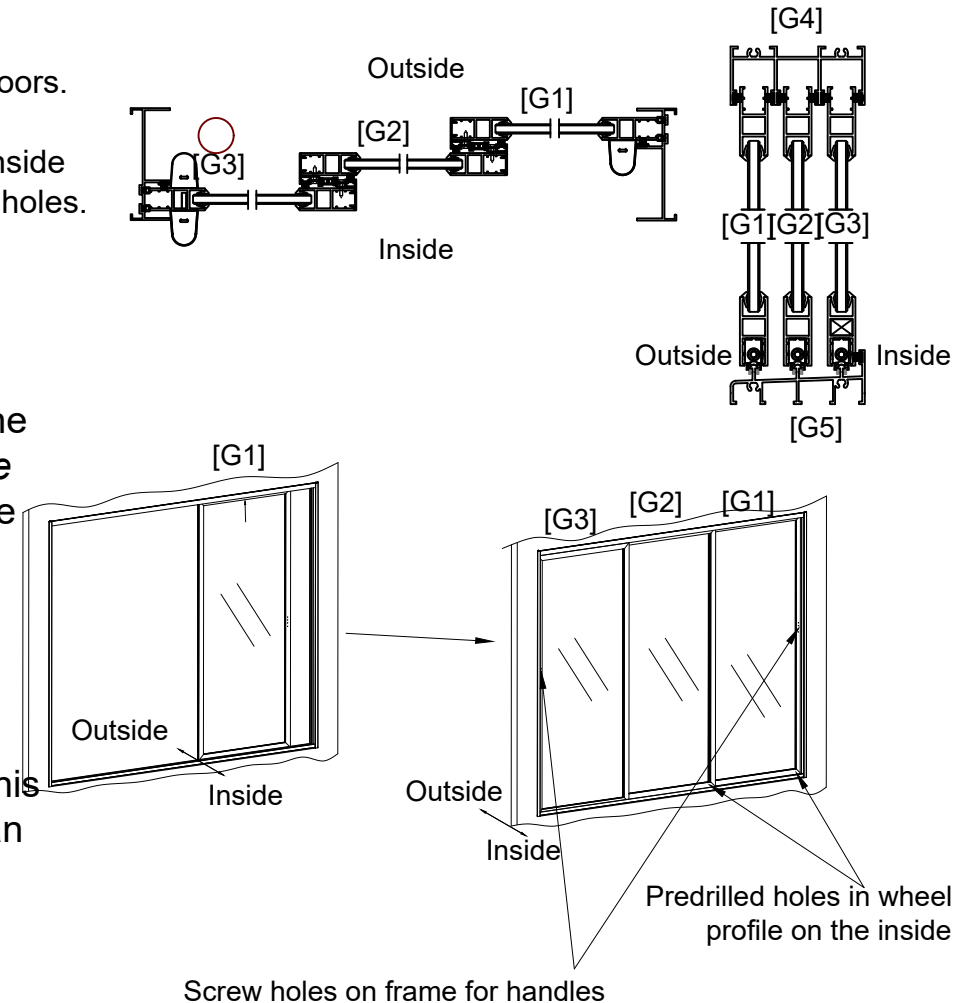
It is recommended to use suction cups during the installation of the doors.

The doors should be installed from the outside. Be aware that door [G1] have inside with handle mounting holes, but door [G3] have both side with handle mounting holes. The holes must be positioned as on the drawing.

A. Start by installing *Framed sliding door-1 right* [G1]. This door should be installed into the most outside of the 3 tracks. The door must be lifted into the frame profile with an angle where the top of the door are leaning forward and lifted into the *Top frame profile (track)* [G4] first before the door is straightened up as the top of the door still is inside the *Top frame profile (track)* [G4]. Lower the door carefully down to the *Bottom frame profile(track)*[G5]. Slide the door carefully to the right before starting on the next door.

B. You can now install the *Framed sliding door - 2 middle* [G2]. This door should be installed into the middle track. This door have an inside and an outside. The pre-drilled hole in the wheel profile needs to be on the inside. Slide the door carefully to the right before starting on the last door.

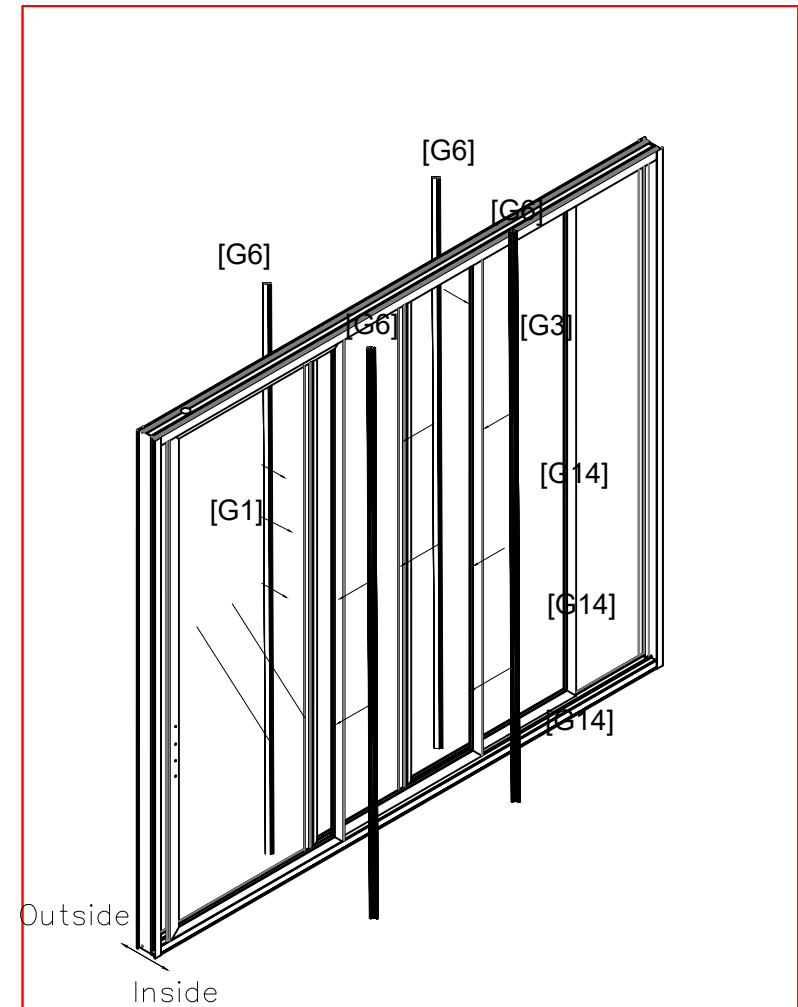
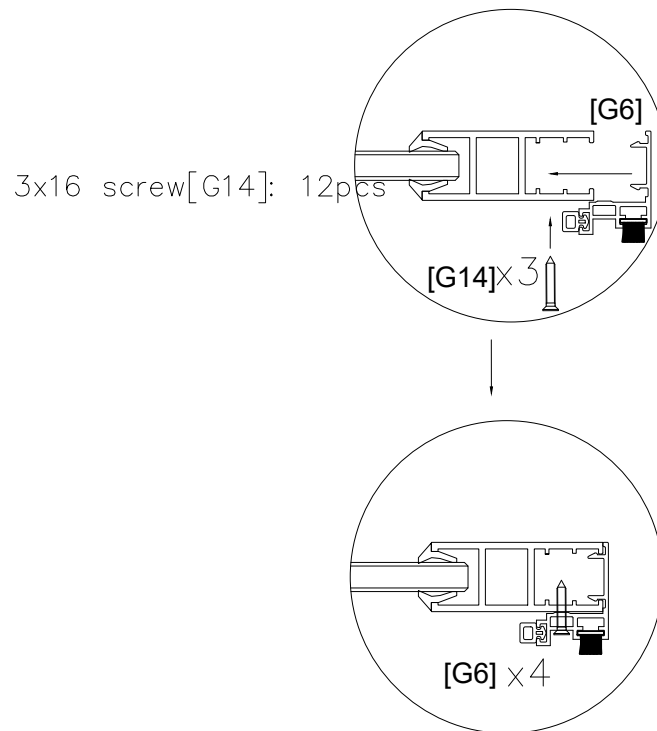
C. Install the *Framed sliding door - 3 left* [G3] in the most inside track.



## Step 5 - Install the connector for doors

Slide the doors making them overlap each other as shown on the drawing before the connectors are getting installed.

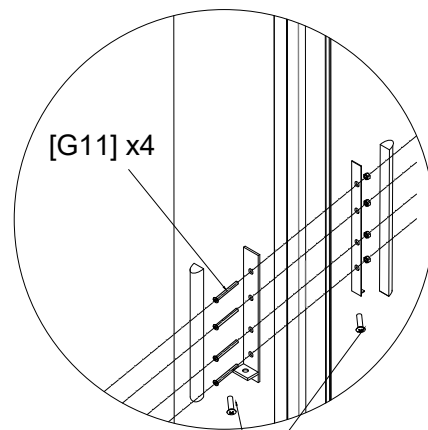
Install the *connector* [G6] on the right side of *Framed sliding door-3 left* [G3], the both side of *Framed sliding door-2 middle* [G2] and the left side of *Framed sliding door-1 right* [G1]. Use the 3x16 mm screws [G14].



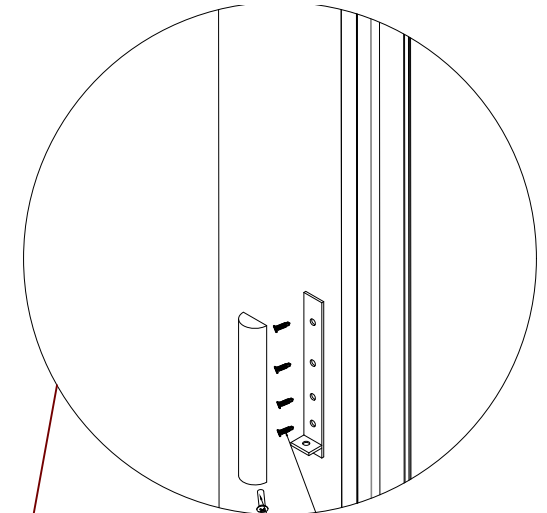
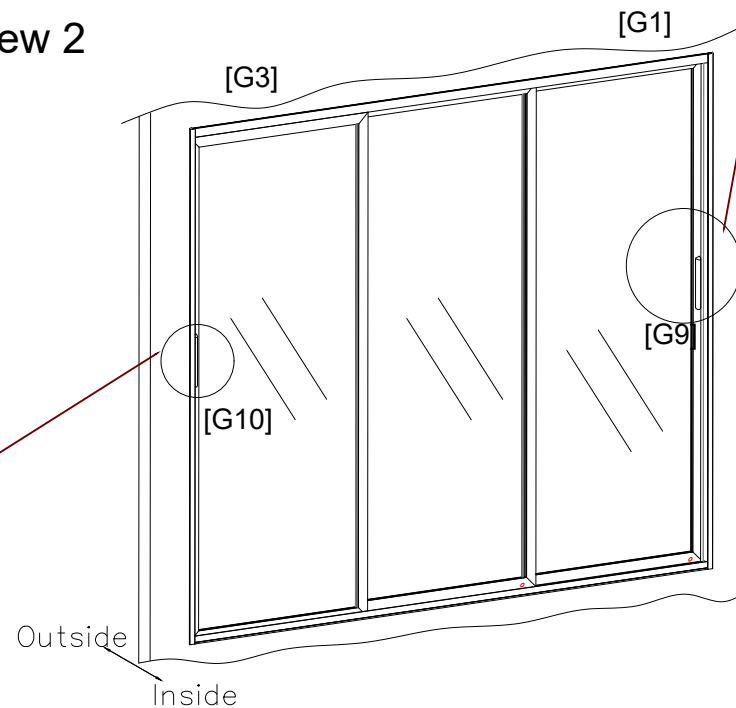
## Step 6 - Install handles

Fix the *Single handle* [G9] to the *Framed door* [G1] through the holes in the door frame by Screw 1 on handle. Use Screw 2 on handle to fix the handle cover.

Fix the *Double handles* [G10] to the *Framed doors* [G3] through the holes in the door frame by *M5 bolt with nut* [G11]. Use Screw 2 on handle to fix the handle covers.



Screw 2 on handle: x2



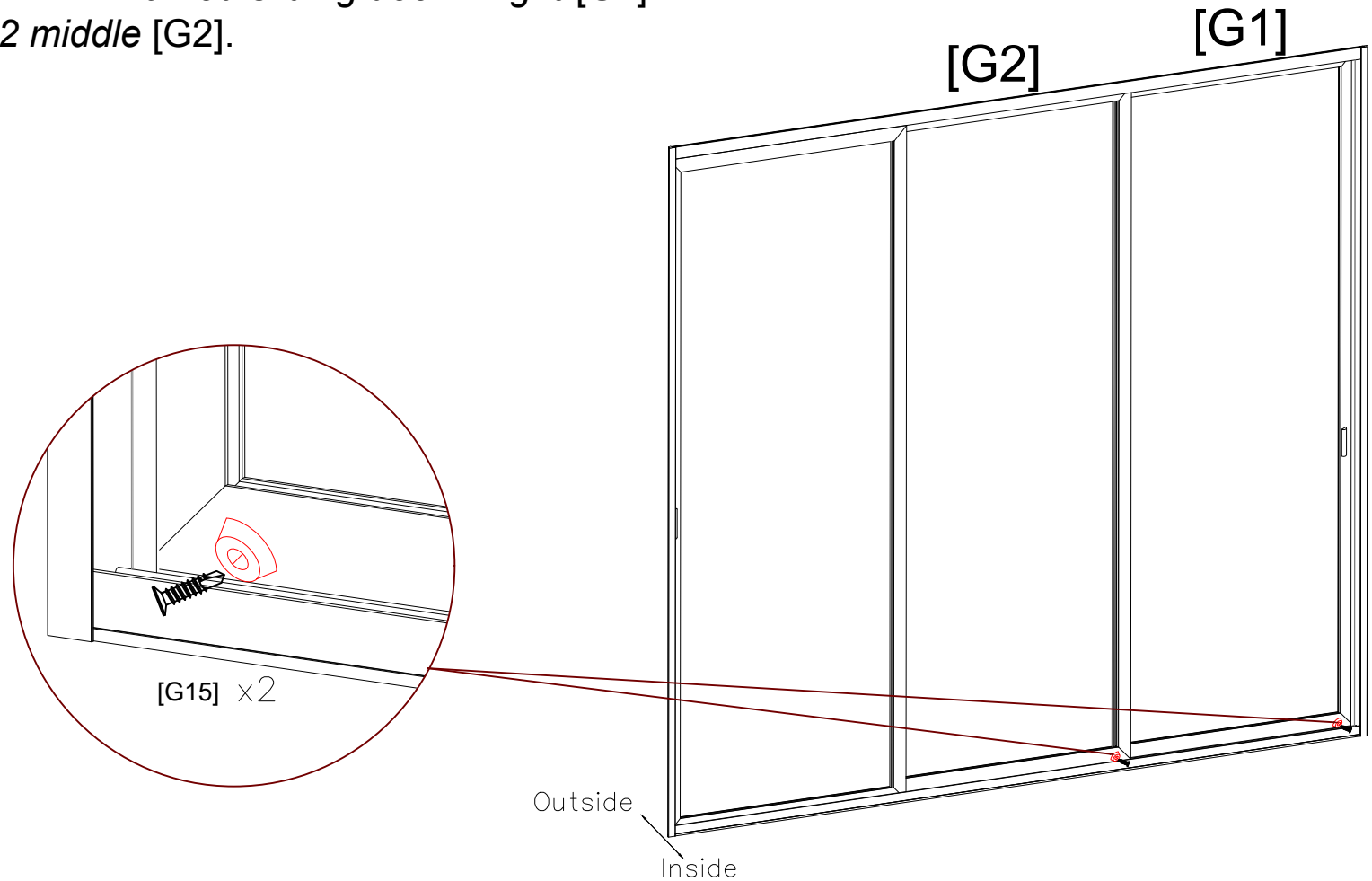
Screw 1 on handle: x4

Screw 2 on handle: x1



## Step 7 - Install stoppers

Install the *Stoppers* [G15] from the inside with the corresponding screw in the pre-drilled holes in *Framed sliding door-1 right* [G1] and *Framed sliding door-2 middle* [G2].



# The installation is now complete

